



US00D432904S

# United States Patent [19]

[11] Patent Number: **Des. 432,904**

Anselmo

[45] Date of Patent: **\*\* Oct. 31, 2000**

[54] **CARPET PROTECTOR**

2,902,794 9/1959 Ehrgott ..... 248/188.9  
3,333,805 8/1967 Marshall ..... 248/188.9

[76] Inventor: **Anthony Gray Anselmo**, 177 Main St.,  
Harwich, Mass. 02645

*Primary Examiner*—Holly Baynham  
*Attorney, Agent, or Firm*—Steven N. Fox; Hancock &  
Estabrook, LLP

[\*\*] Term: **14 Years**

### [57] CLAIM

[21] Appl. No.: **29/108,552**

The ornamental design of a “carpet protector,” as shown and described.

[22] Filed: **Jul. 29, 1999**

[51] **LOC (7) Cl.** ..... **08-05**

[52] **U.S. Cl.** ..... **D8/374**

[58] **Field of Search** ..... D8/374; 248/188.8,  
248/188.9, 346.1

### DESCRIPTION

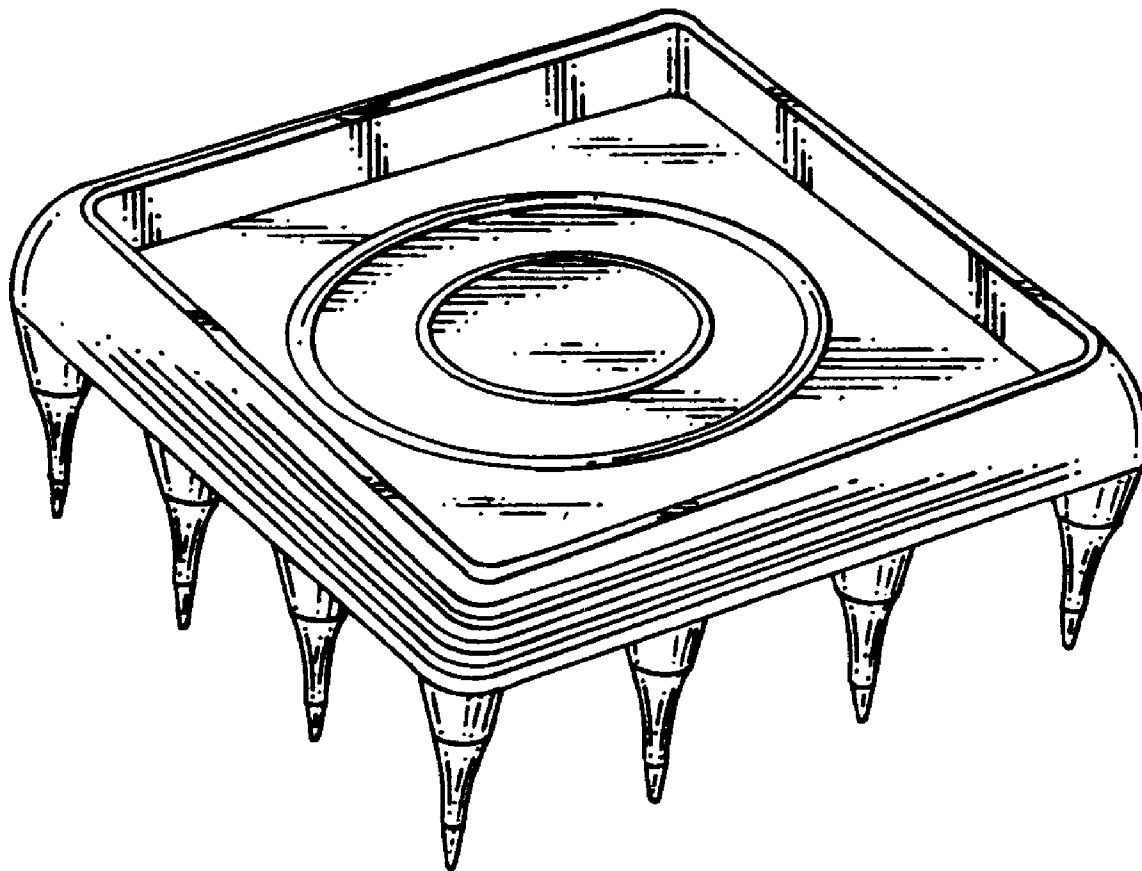
FIG. 1 is a top perspective view of the present invention; FIG. 2 is a bottom perspective view of the present invention; FIG. 3 is a top plan view of the present invention; and, FIG. 4 is a bottom plan view of the present invention. The color of the ornamental design forms no part of the claimed design.

### [56] References Cited

#### U.S. PATENT DOCUMENTS

D. 379,582 6/1997 Adams ..... D8/374  
D. 383,377 9/1997 Sellers ..... D8/374

**1 Claim, 1 Drawing Sheet**



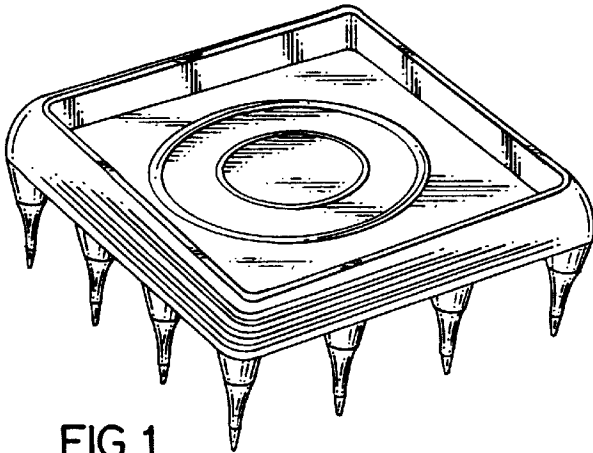


FIG. 1

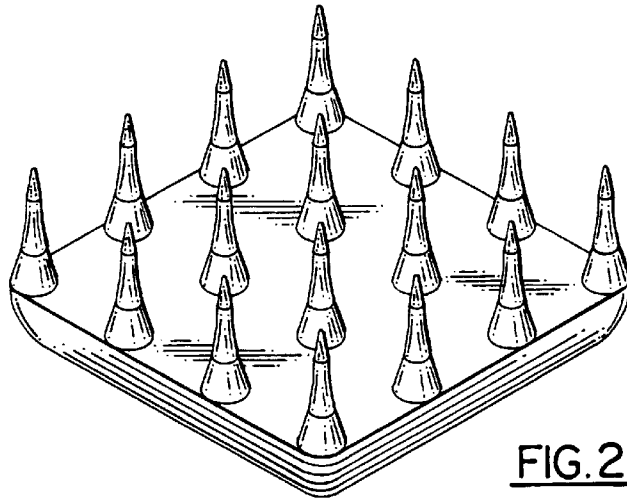


FIG. 2

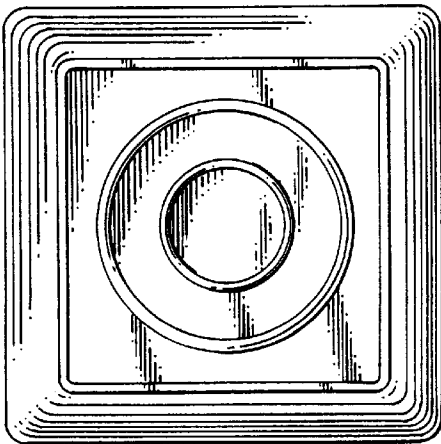


FIG. 3

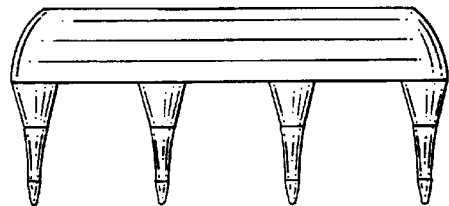


FIG. 4