



US00D487695S

(12) **United States Design Patent**
Sittig

(10) **Patent No.:** **US D487,695 S**

(45) **Date of Patent:** **** Mar. 23, 2004**

(54) **BED ELEVATOR**

(76) Inventor: **Kenneth W. Sittig**, 25 Keegan La.,
#5B, Greenfield, MA (US) 01301

(**) Term: **14 Years**

(21) Appl. No.: **29/183,081**

(22) Filed: **Jun. 5, 2003**

(51) **LOC (7) Cl.** **08-05**

(52) **U.S. Cl.** **D8/374**

(58) **Field of Search** D8/374; D6/374;
5/509.1; 248/188.2, 188.8, 346.01

(56) **References Cited**

U.S. PATENT DOCUMENTS

D336,843 S * 6/1993 Hurst D8/374

D404,992 S * 2/1999 Sittig D8/374

* cited by examiner

Primary Examiner—Holly Baynham

(74) *Attorney, Agent, or Firm*—Steven N. Fox, Esq.

(57) **CLAIM**

The ornamental design of a “bed elevator,” as shown and described.

DESCRIPTION

FIG. 1 is a perspective view of the present invention;

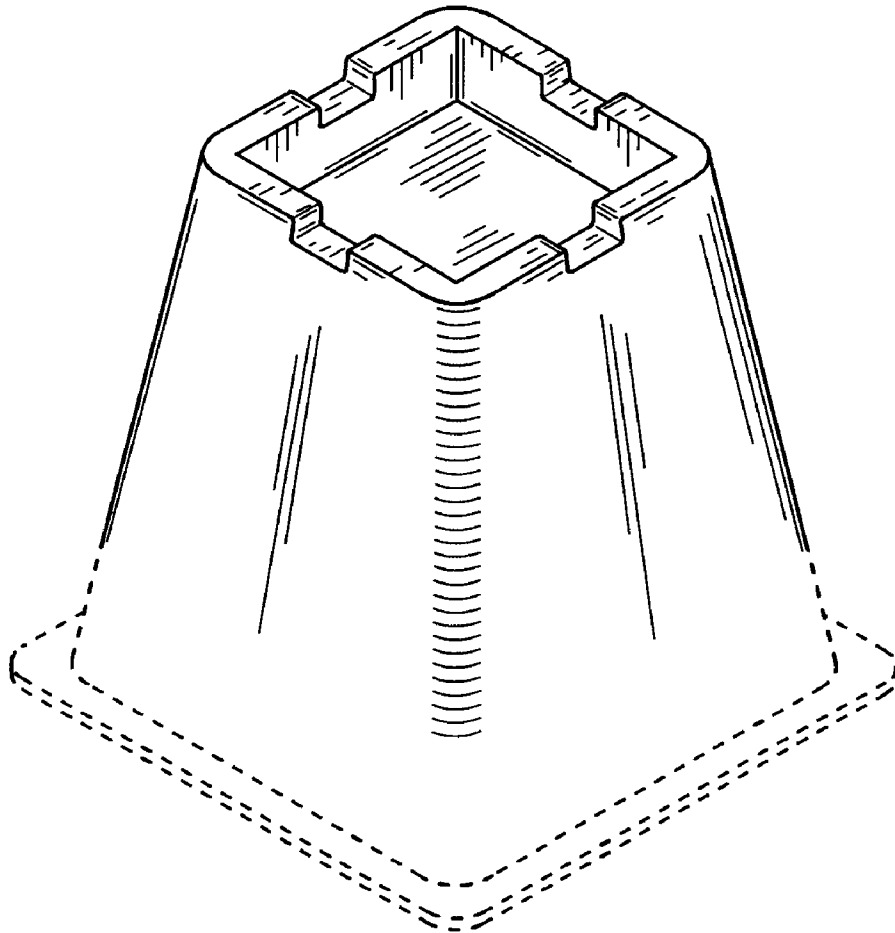
FIG. 2 is a top plan view of the present invention;

FIG. 3 is a front elevation view of the present invention which is also illustrative of all side elevation and rear elevation views of the present invention; and,

FIG. 4 is a bottom plan view of the present invention.

The broken lines shown in the drawings illustrate environment and do not form any part of the claimed design.

1 Claim, 1 Drawing Sheet



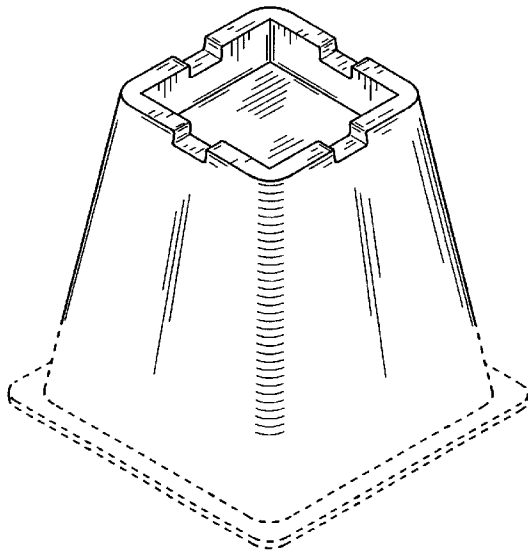


FIG. 1

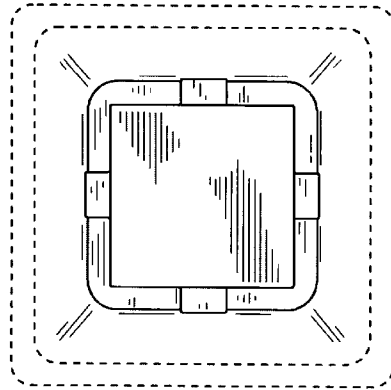


FIG. 2

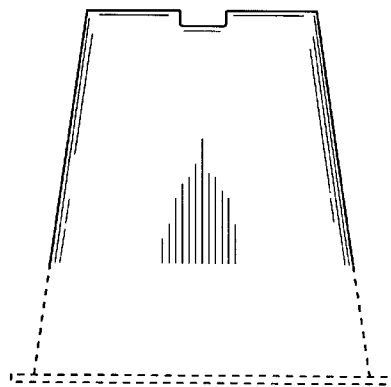


FIG. 3

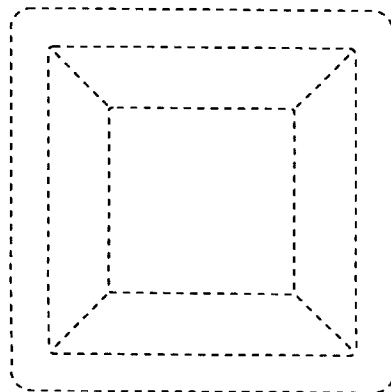


FIG. 4