



US00D624474S

(12) **United States Design Patent**  
**Hsu et al.**

(10) **Patent No.:** **US D624,474 S**

(45) **Date of Patent:** **\*\* Sep. 28, 2010**

(54) **EXHAUST MANIFOLD FOR A VEHICLE**

(75) Inventors: **David Hsu**, Norco, CA (US); **Charles Madrid**, Alhambra, CA (US)

(73) Assignee: **Group-A Autosports, Inc.**, Norco, CA (US)

(\*\*) Term: **14 Years**

(21) Appl. No.: **29/354,743**

(22) Filed: **Jan. 28, 2010**

(51) **LOC (9) Cl.** ..... **12-16**

(52) **U.S. Cl.** ..... **D12/194**

(58) **Field of Classification Search** ..... D12/194;  
D15/5; 293/113; 29/890.08; 180/89.2, 296,  
180/309; 181/247-249, 264, 282, 239-241,  
181/227, 228; 138/44, 37-39, 103, 109;  
60/303, 313, 323

See application file for complete search history.

(56) **References Cited**

**U.S. PATENT DOCUMENTS**

D405,095	S	*	2/1999	Wada	.....	D15/5
6,467,261	B1	*	10/2002	Hisanaga et al.	.....	60/323
D484,513	S	*	12/2003	Grudynski, III	.....	D15/5
D533,568	S	*	12/2006	Thomas	.....	D15/5
2009/0000286	A1	*	1/2009	Aoki et al.	.....	60/323

\* cited by examiner

*Primary Examiner*—T. Chase Nelson  
*Assistant Examiner*—Michael A Pratt  
(74) *Attorney, Agent, or Firm*—Steven N. Fox, ESQ.

(57) **CLAIM**

The ornamental design for an exhaust manifold for a vehicle, as shown and described.

**DESCRIPTION**

FIG. 1 is a perspective view of the design according to the present invention;

FIG. 2 is a front elevation view of the design according to the present invention;

FIG. 3 is right side elevation view of the design according to the present invention;

FIG. 4 is a rear elevation view of the design according to the present invention;

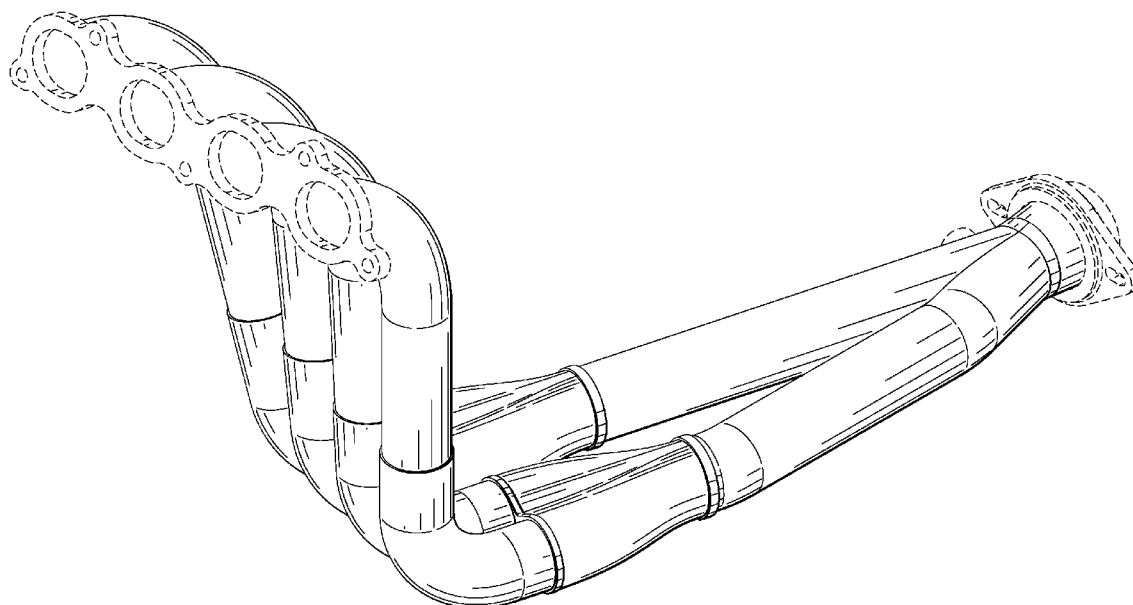
FIG. 5 is a left side elevation view of the design according to the present invention;

FIG. 6 is a top plan view of the design according to the present invention; and,

FIG. 7 is a bottom plan view of the design according to the present invention.

The broken lines in the drawings are environmental and form no part of the claimed design.

**1 Claim, 6 Drawing Sheets**



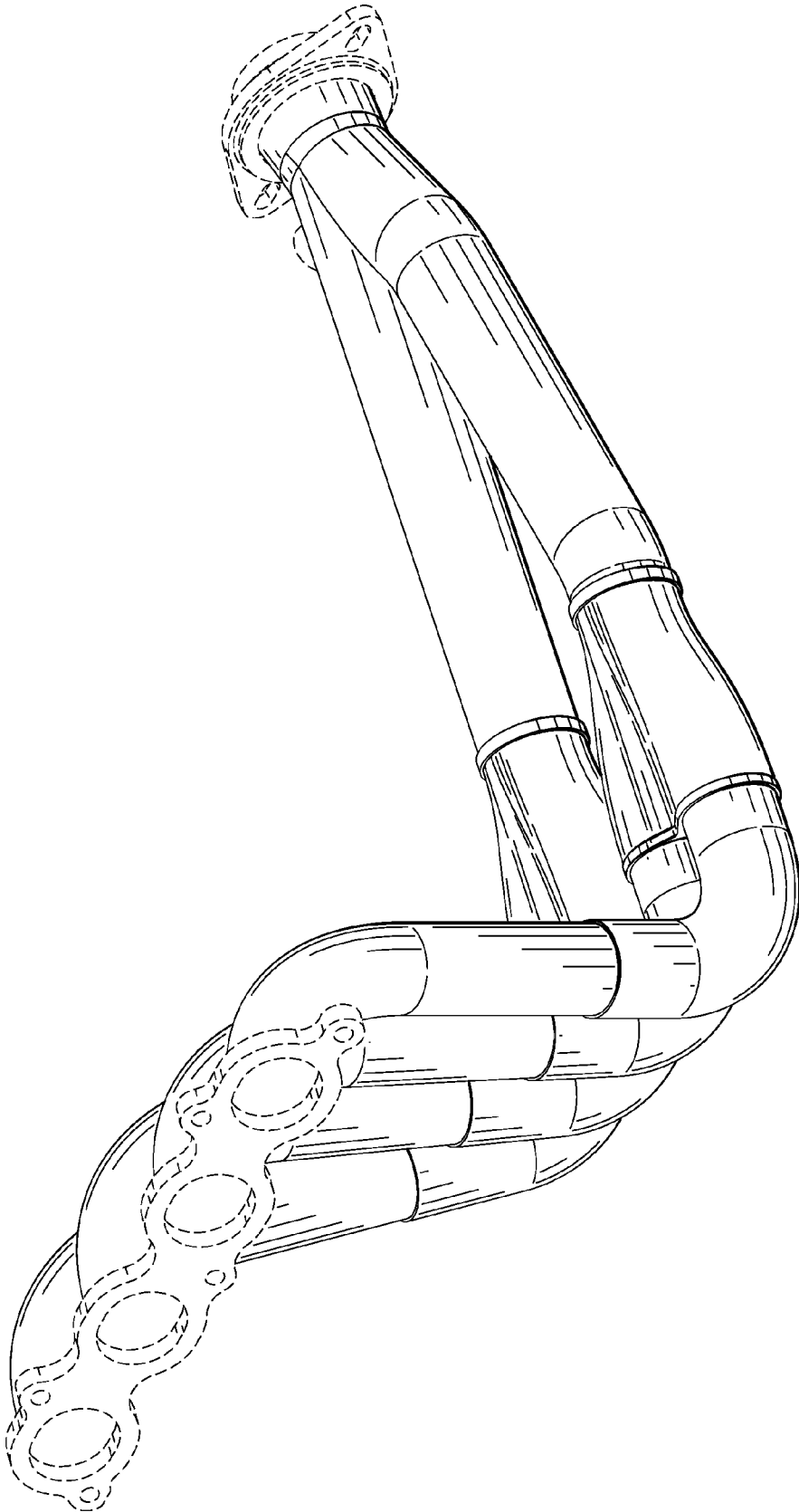


FIG. 1

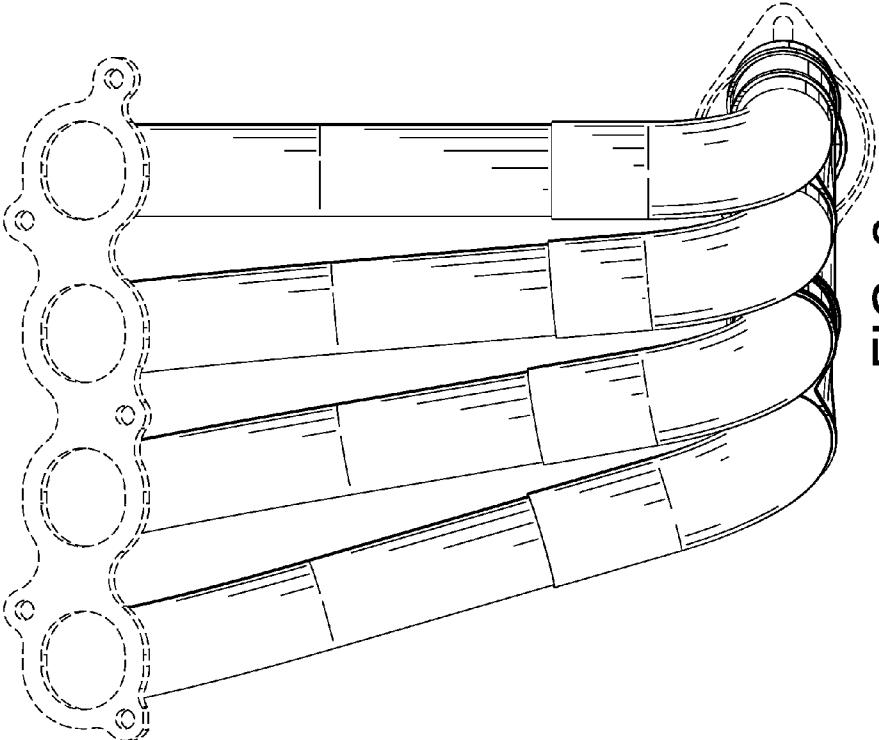


FIG. 2

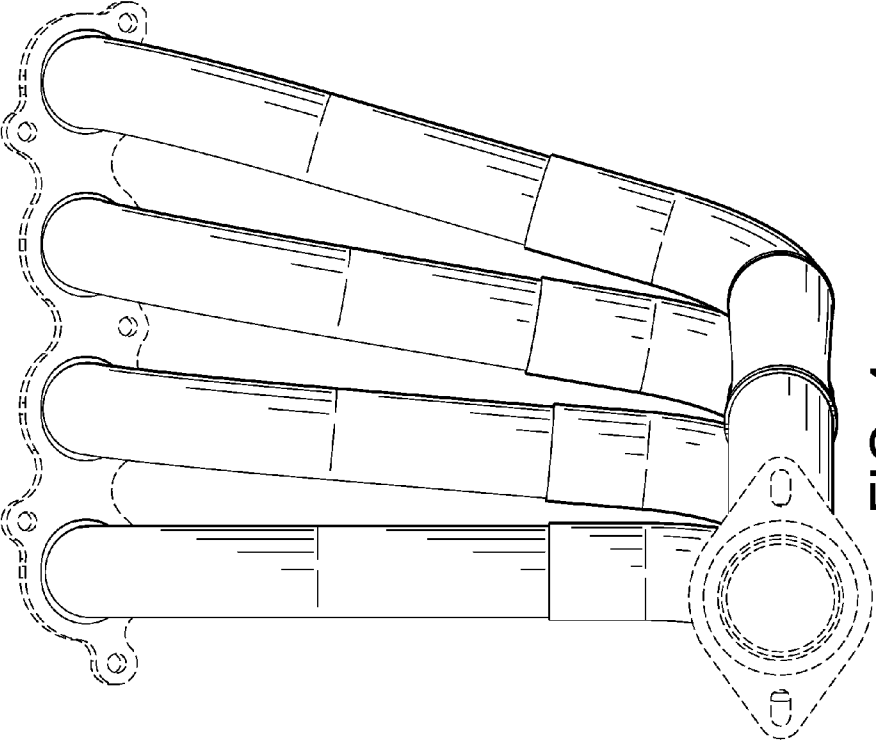


FIG. 4

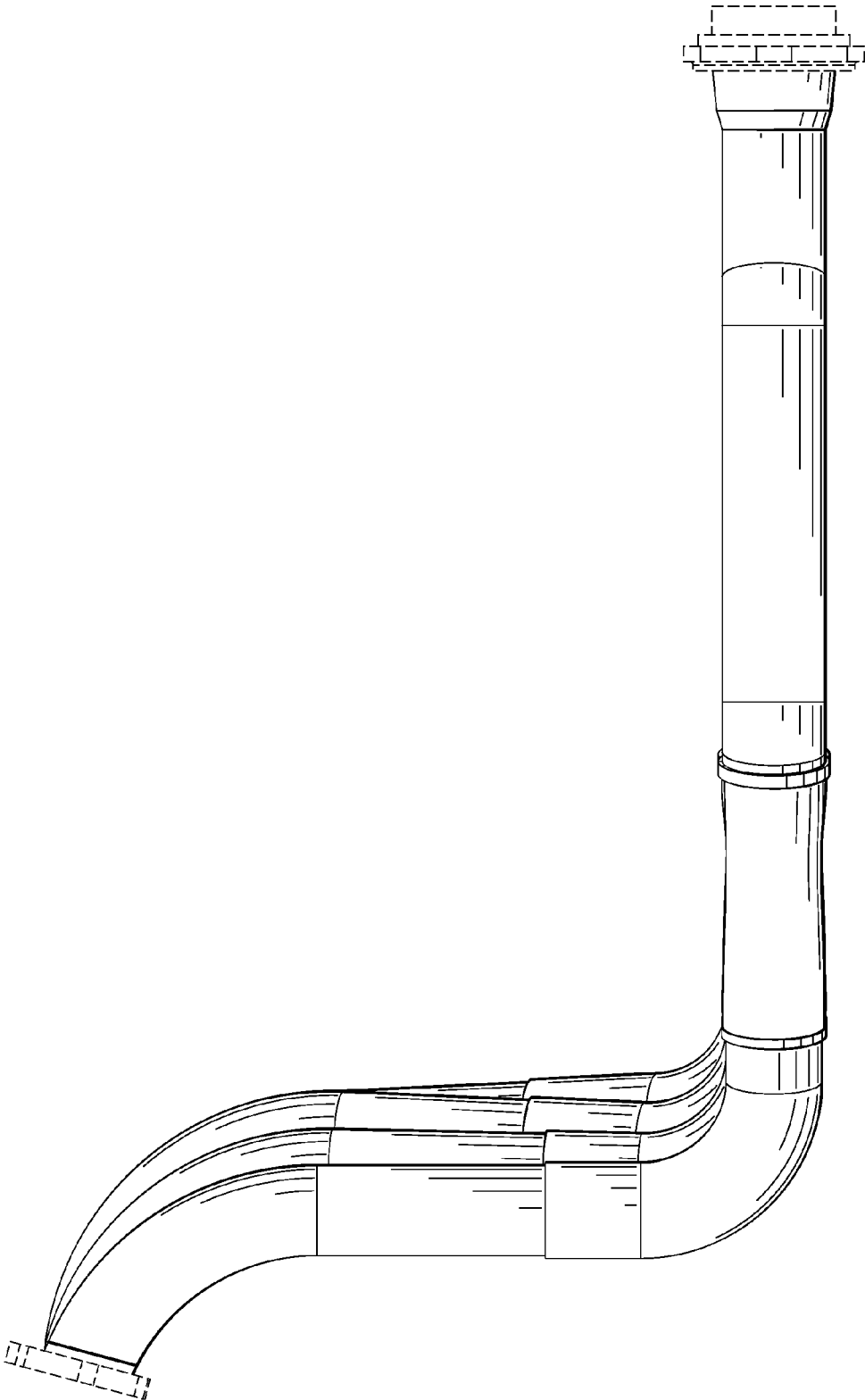


FIG. 3

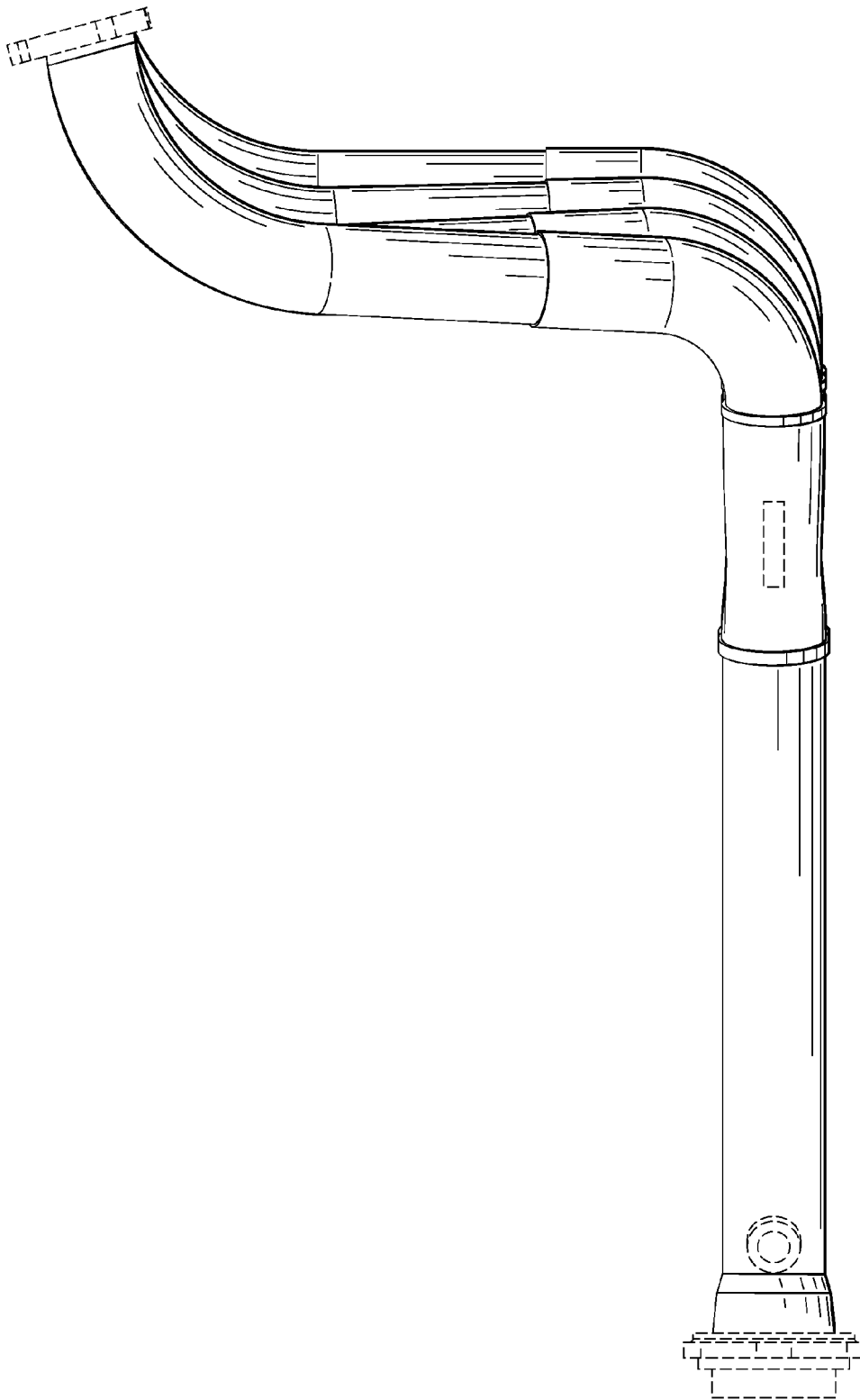


FIG. 5

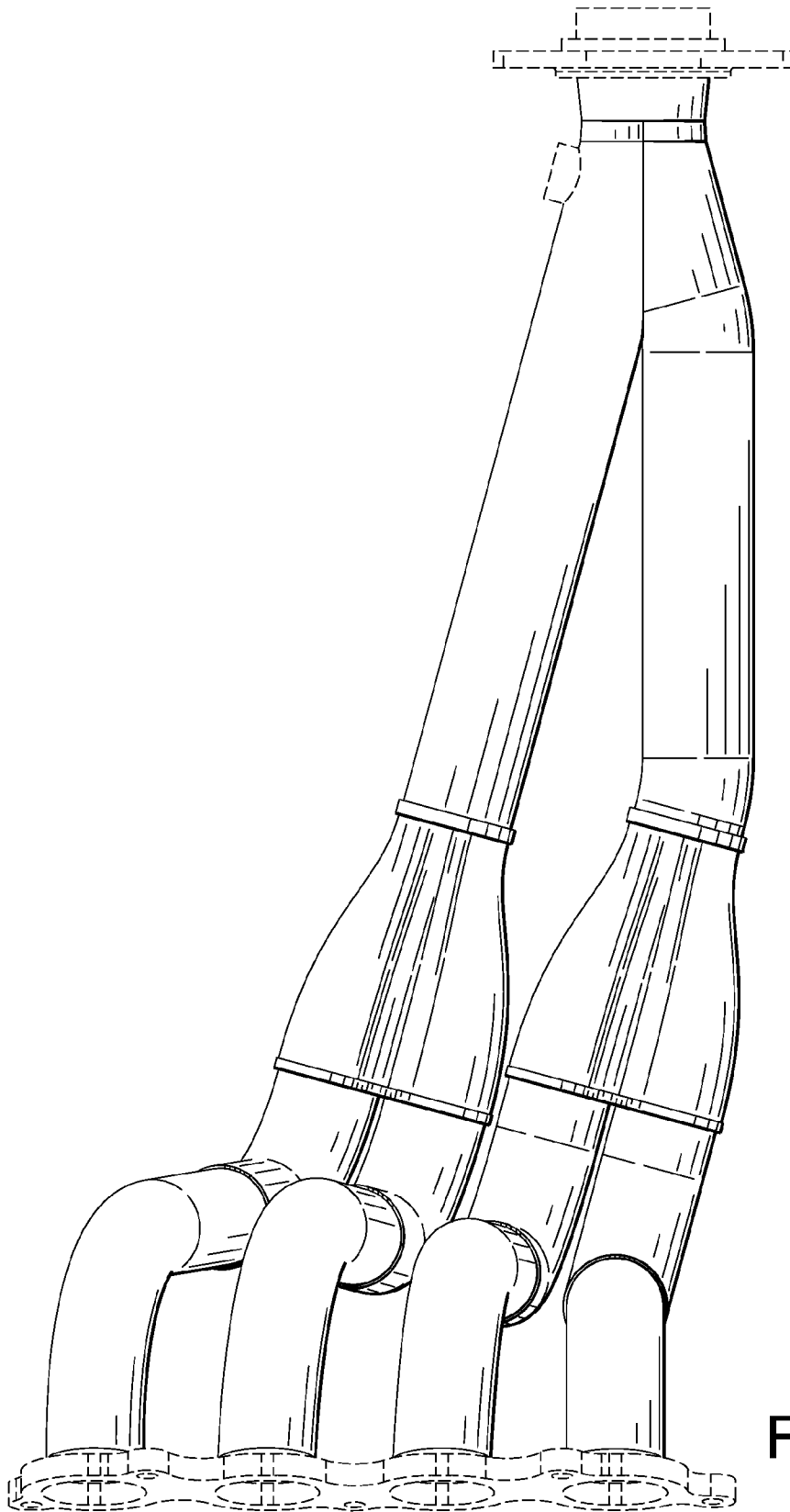


FIG. 6

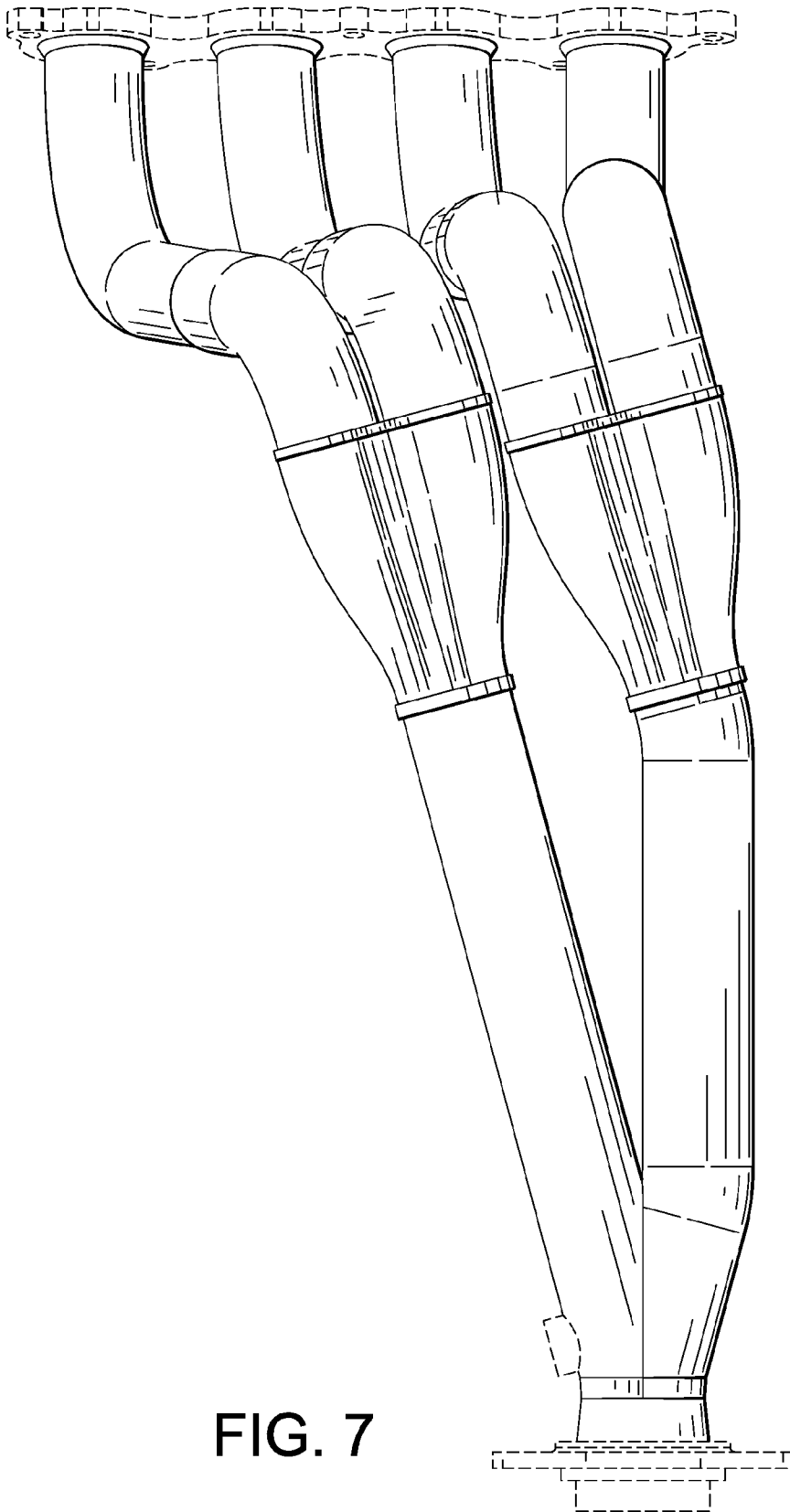


FIG. 7