



US00D626429S

(12) **United States Design Patent**
Selby

(10) **Patent No.:** **US D626,429 S**
(45) **Date of Patent:** **** Nov. 2, 2010**

(54) **DISPLAY BOX**

(76) Inventor: **William J. Selby**, P.O. Box 224,
Stoughton, MA (US) 02072

(**) Term: **14 Years**

(21) Appl. No.: **29/361,279**

(22) Filed: **May 9, 2010**

(51) **LOC (9) Cl.** **09-01**

(52) **U.S. Cl.** **D9/715**

(58) **Field of Classification Search** D9/430-433,
D9/414, 415, 418, 715, 721; 229/100, 103.2,
229/103.3, 110-116, 169; 220/62, 62.1,
220/890; 137/355.12, 355.19; 206/216,
206/218, 223, 527, 701, 702, 736; 40/312;
242/400.1; 248/75; 138/118; 392/472; 417/181
See application file for complete search history.

(56) **References Cited**

U.S. PATENT DOCUMENTS

3,402,810	A *	9/1968	Percelay	206/461
3,693,784	A *	9/1972	Holmes	206/409
3,982,712	A *	9/1976	Bassett	242/129
4,199,059	A *	4/1980	Maroszek	206/6.1
D276,312	S *	11/1984	Loof et al.	D9/722
4,699,312	A *	10/1987	Owen	232/2
4,846,343	A *	7/1989	Rupert	206/303
5,246,111	A *	9/1993	Shibazaki et al.	206/409

5,704,479	A *	1/1998	Barnett et al.	206/395
5,826,817	A	10/1998	Selby	
6,276,623	B1 *	8/2001	Williams	242/171
6,726,037	B2 *	4/2004	Chandaria	211/113
D503,337	S	3/2005	Selby	
D509,147	S	9/2005	Selby	
2005/0126945	A1 *	6/2005	Selby	206/395

* cited by examiner

Primary Examiner—Stella M Reid

Assistant Examiner—Thomas J Johannes

(74) *Attorney, Agent, or Firm*—Steven N. Fox, Esq.

(57) **CLAIM**

The ornamental design for a display box, as shown and described.

DESCRIPTION

FIG. 1 is a perspective view a display box according to the present invention;

FIG. 2 is a left side elevation view thereof;

FIG. 3 is a front elevation view thereof;

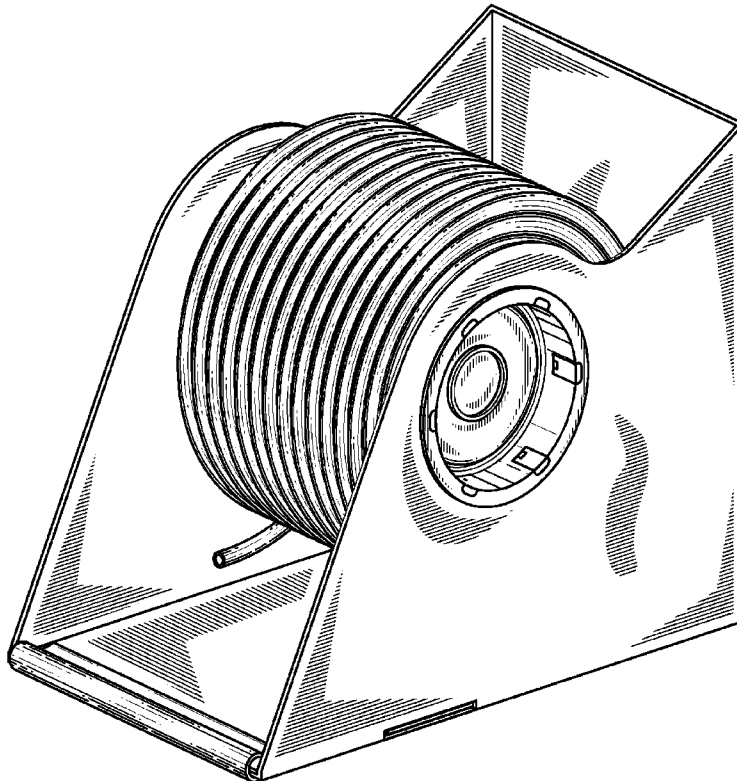
FIG. 4 is a right side elevation view thereof;

FIG. 5 is a rear elevation view thereof;

FIG. 6 is a top plan view thereof; and,

FIG. 7 is a bottom plan view thereof.

1 Claim, 5 Drawing Sheets



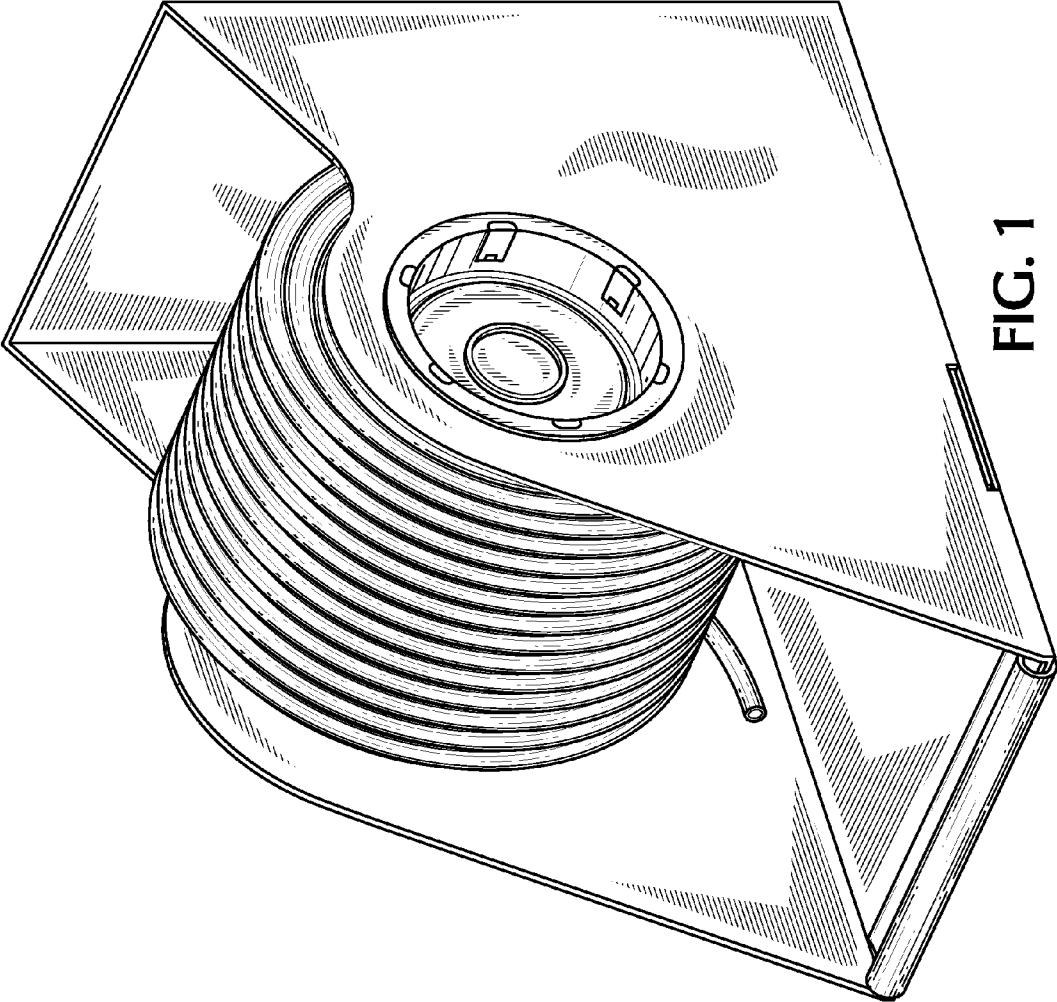


FIG. 1

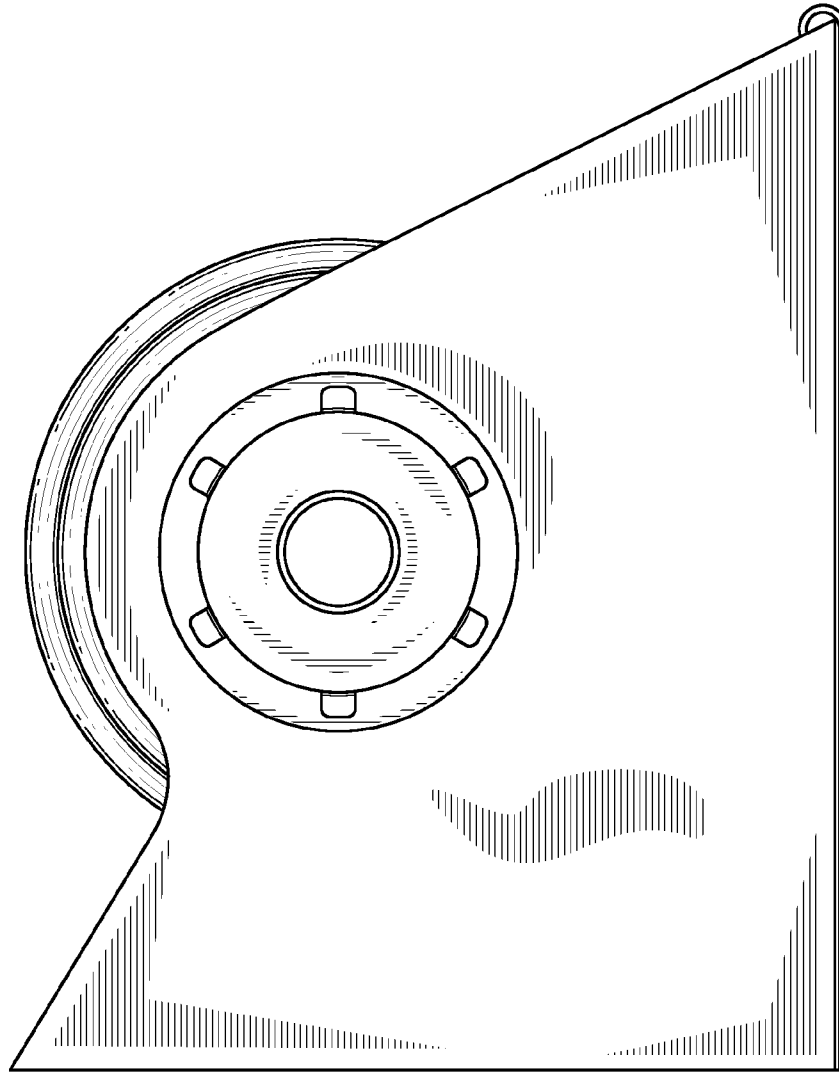


FIG. 2

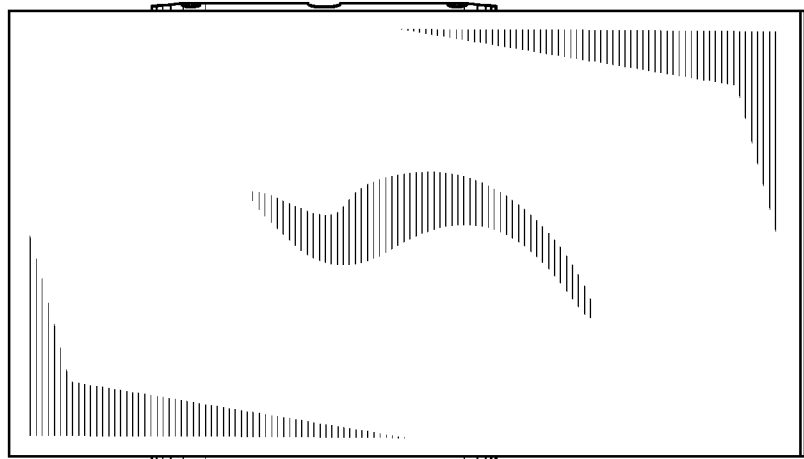


FIG. 5



FIG. 3

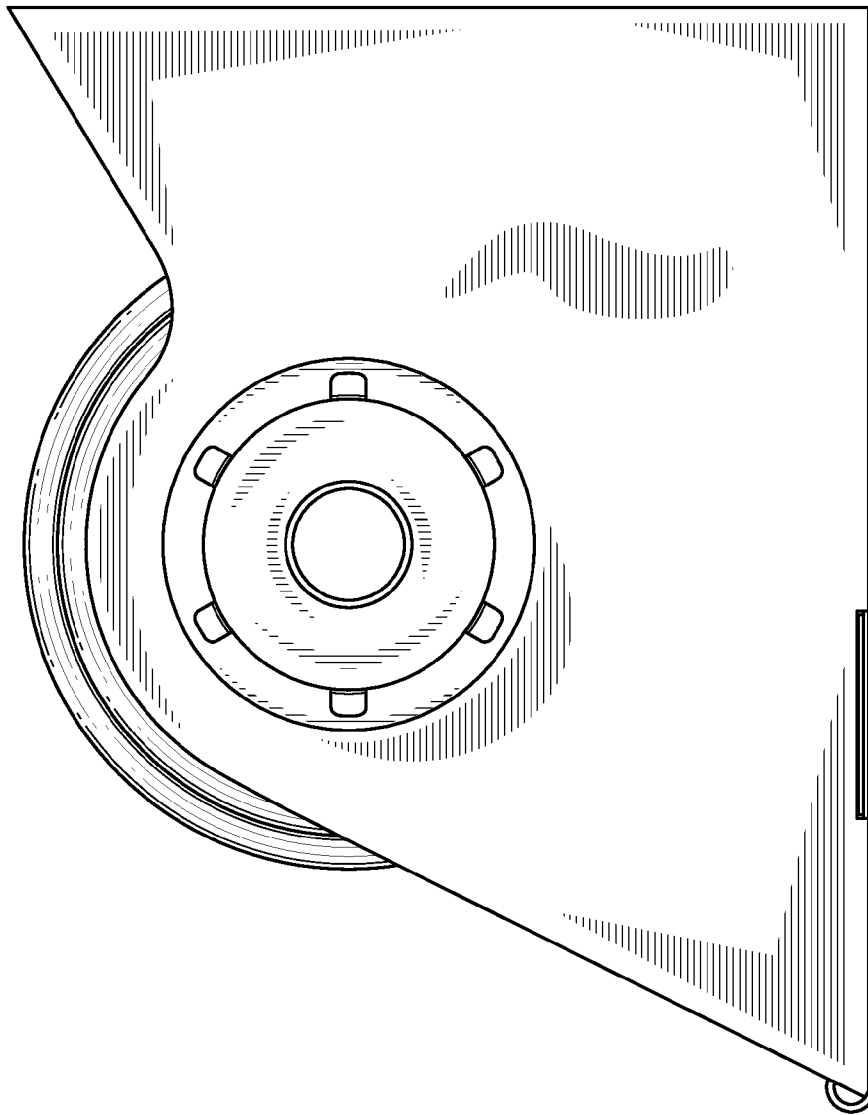


FIG. 4



FIG. 6

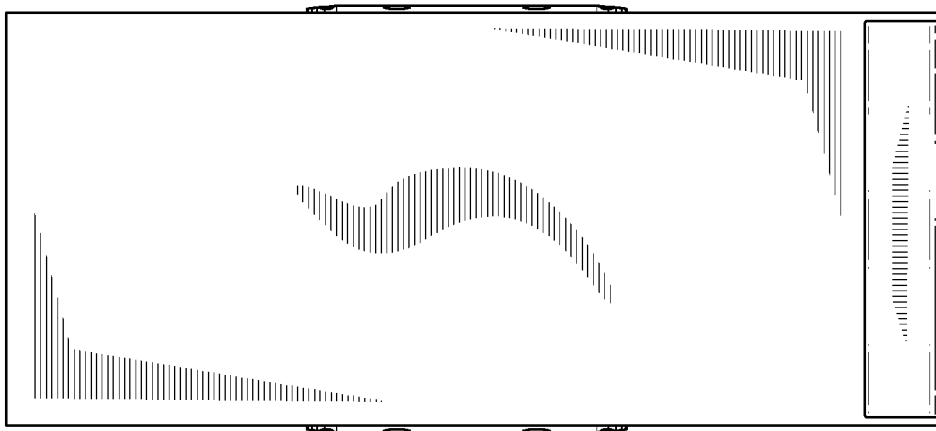


FIG. 7