



US00D644090S

(12) **United States Design Patent**  
**Sittig**

(10) **Patent No.:** **US D644,090 S**

(45) **Date of Patent:** **\*\* Aug. 30, 2011**

(54) **POST HANGAR**

(75) Inventor: **Kenneth W. Sittig**, Greenfield, MA (US)

(73) Assignee: **J. H. Smith Co., Inc.**, Greenfield, MA (US)

(\*\*) Term: **14 Years**

(21) Appl. No.: **29/378,721**

(22) Filed: **Nov. 8, 2010**

(51) **LOC (9) Cl.** ..... **08-05**

(52) **U.S. Cl.** ..... **D8/367**

(58) **Field of Classification Search** ..... D8/367,  
D8/370, 373; 248/301-304, 339

See application file for complete search history.

(56) **References Cited**

**U.S. PATENT DOCUMENTS**

D300,302 S \* 3/1989 Possemato ..... D8/367  
D606,847 S \* 12/2009 Rataiczak, III ..... D8/367

**OTHER PUBLICATIONS**

J.H. Smith Co., Inc.; Product Sheet; Angled Deck Hanger; 1 Sheet; Mar. 2008.

\* cited by examiner

*Primary Examiner* — Holly Baynham

(74) *Attorney, Agent, or Firm* — Steven N. Fox, Esq.

(57) **CLAIM**

The ornamental design for a post hangar, as shown and described.

**DESCRIPTION**

FIG. 1 is a perspective view of a post hangar according to a first embodiment of the present invention mounted on a post;

FIG. 2 is a top view thereof;

FIG. 3 is a bottom view thereof;

FIG. 4 is a left side elevation view thereof;

FIG. 5 is a right side elevation view thereof;

FIG. 6 is a front elevation view thereof;

FIG. 7 is a rear elevation view thereof;

FIG. 8 is a perspective view of a post hangar according to a second embodiment of the present invention mounted on a post;

FIG. 9 is a top view thereof;

FIG. 10 is a bottom view thereof;

FIG. 11 is a left side elevation view thereof;

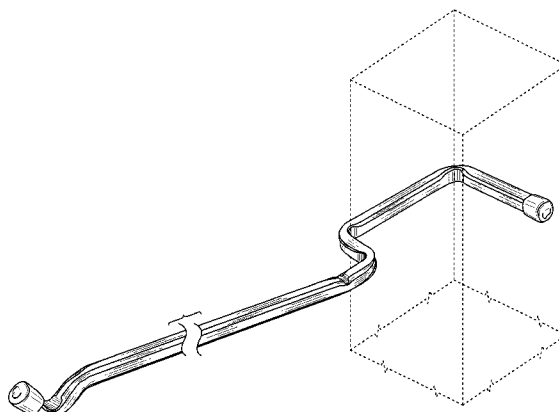
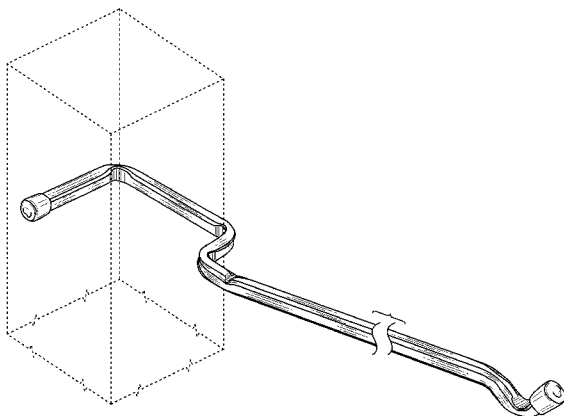
FIG. 12 is a right side elevation view thereof;

FIG. 13 is a front elevation view thereof; and,

FIG. 14 is a rear elevation view thereof.

The broken line showing in the drawings is for illustrative purposes only and forms no part of the claimed design.

**1 Claim, 8 Drawing Sheets**



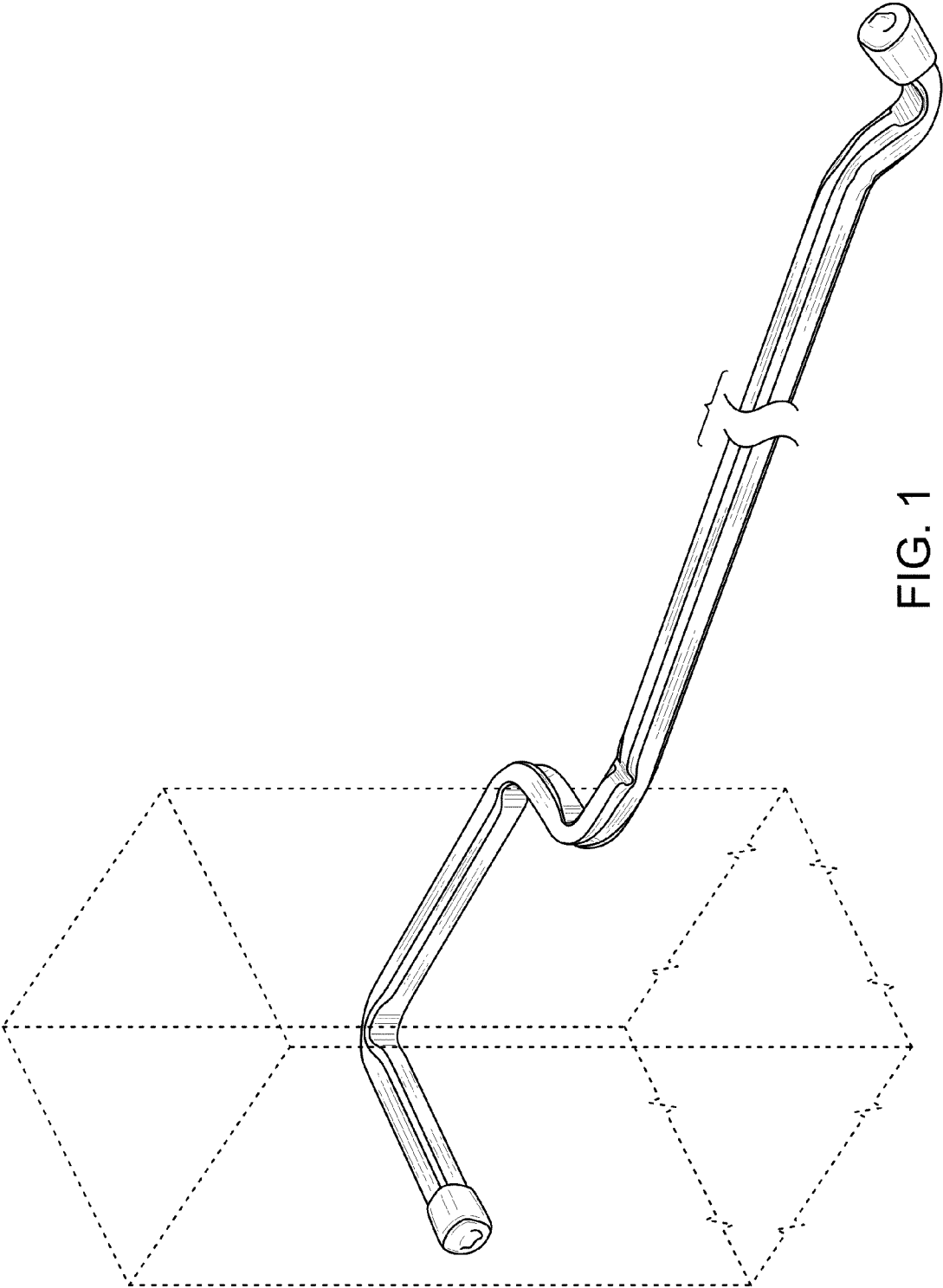


FIG. 1

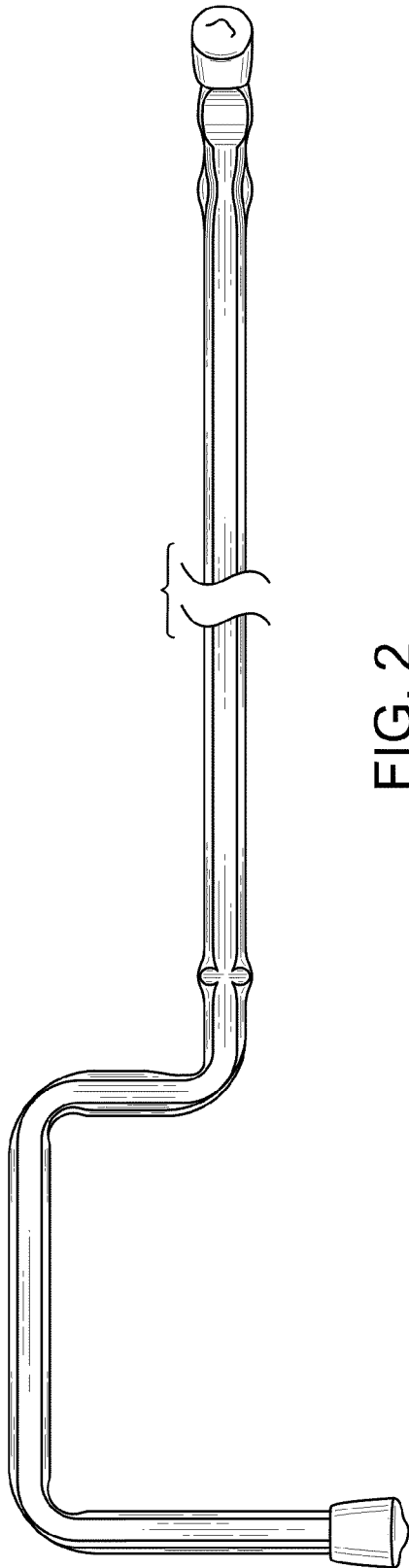


FIG. 2

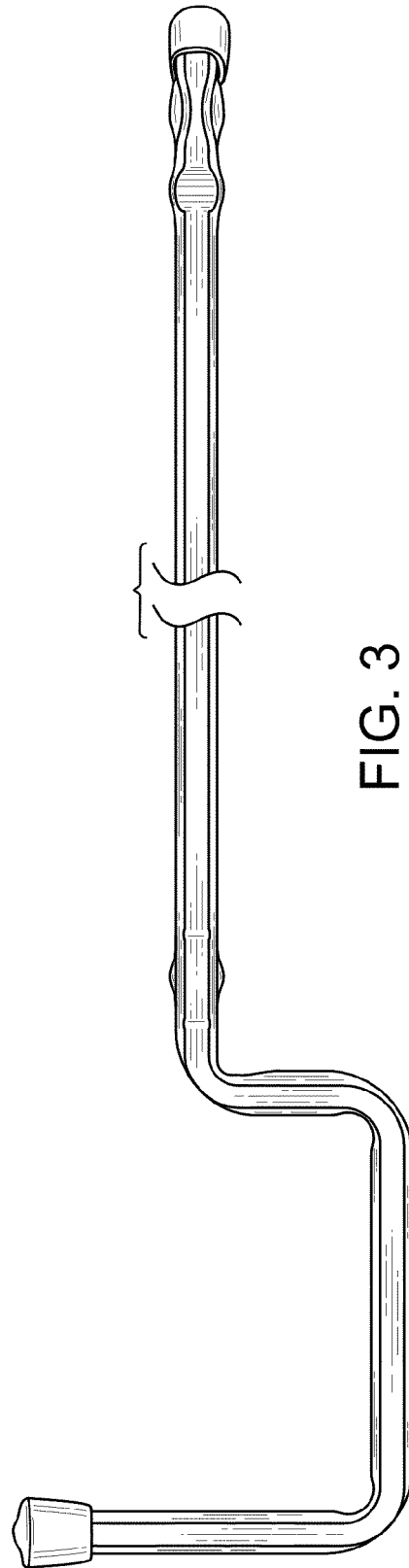


FIG. 3

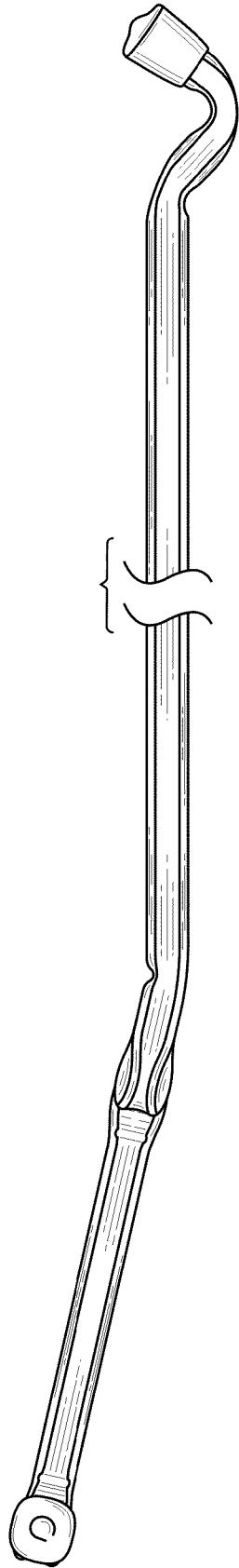


FIG. 4

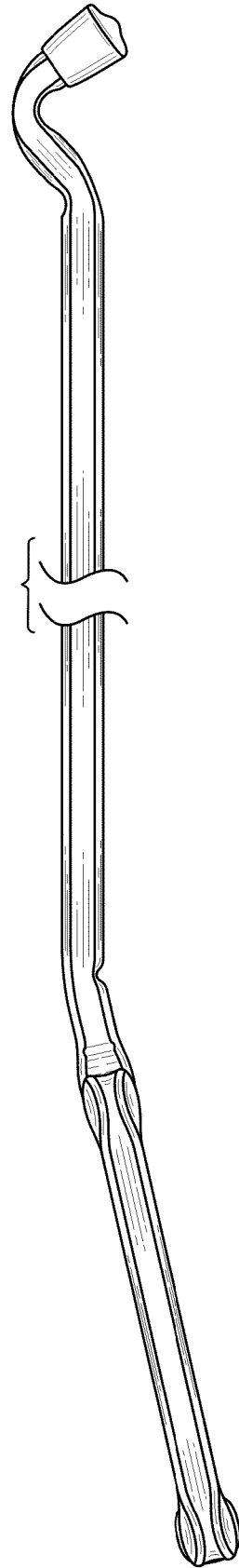


FIG. 5

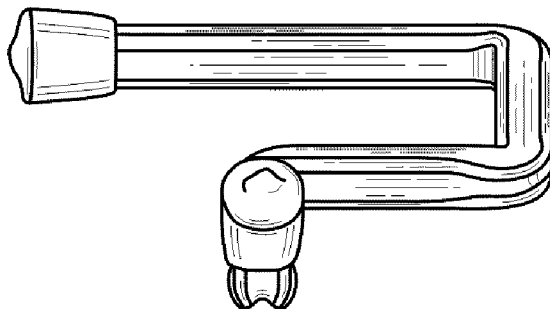


FIG. 6

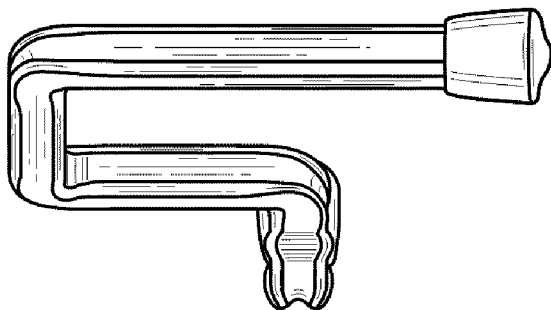


FIG. 7

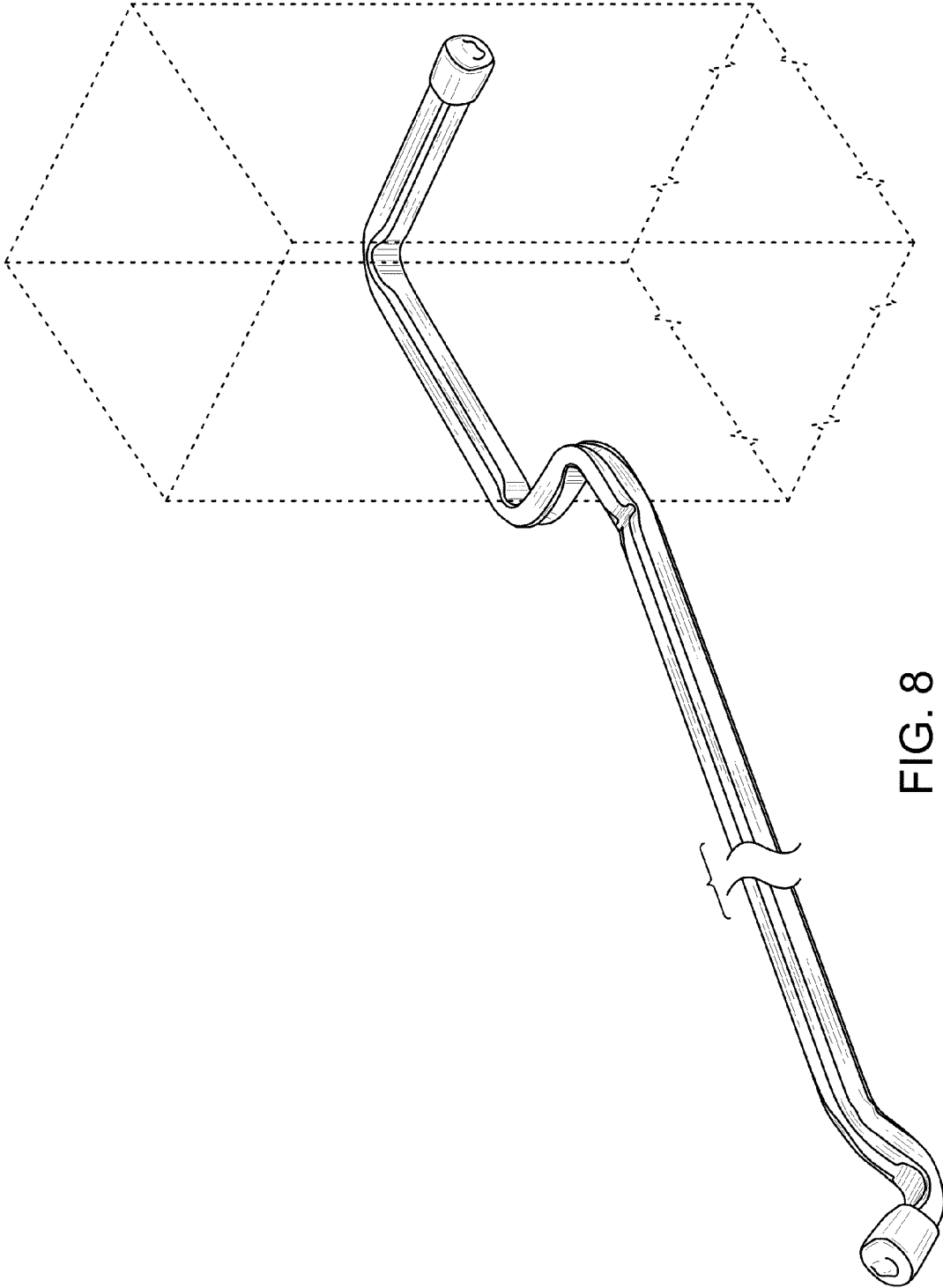


FIG. 8

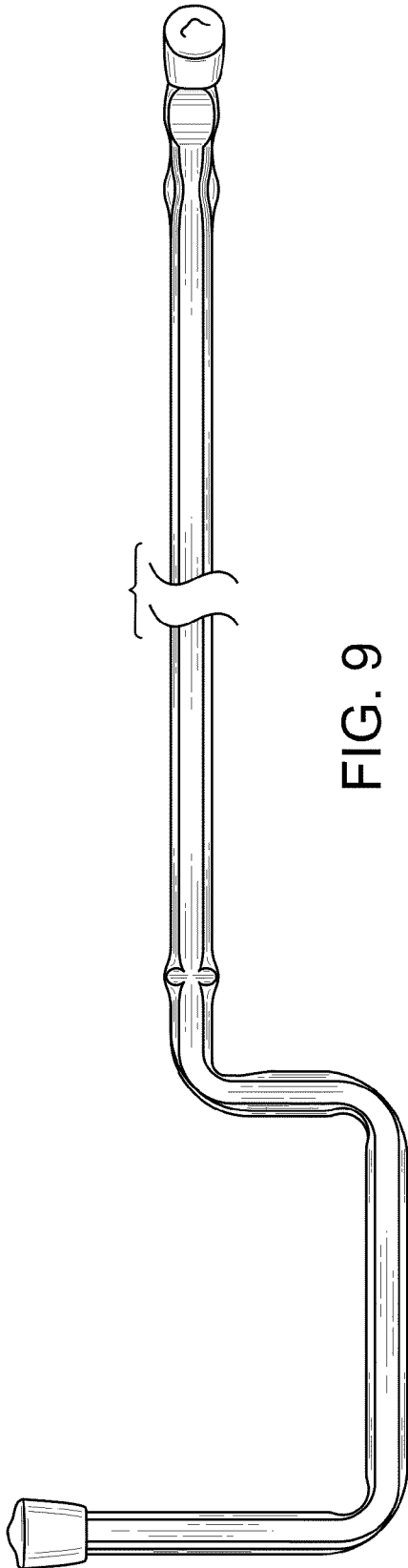


FIG. 9

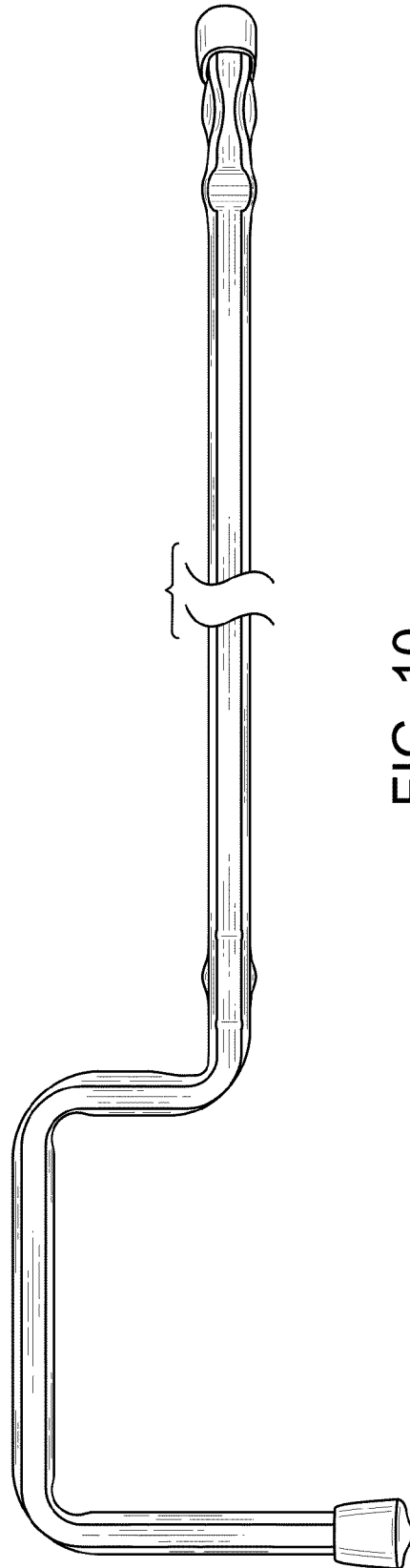


FIG. 10

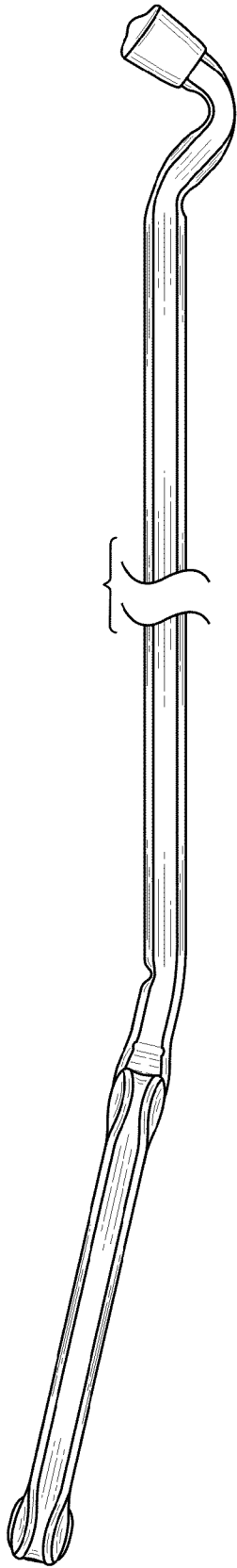


FIG. 11

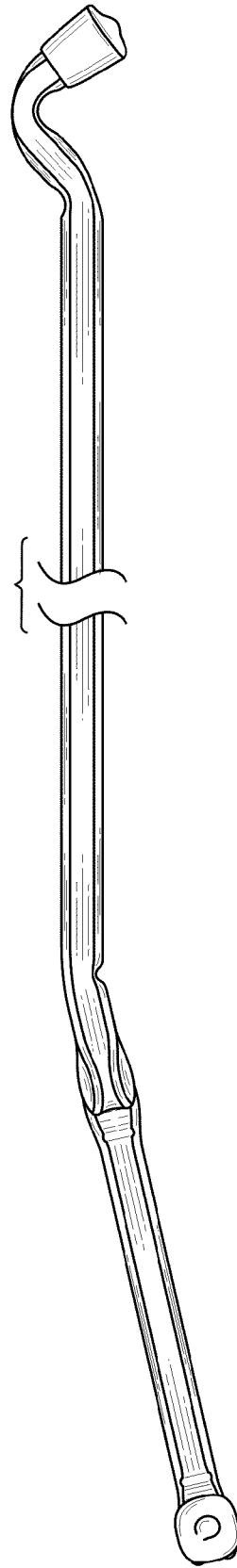


FIG. 12



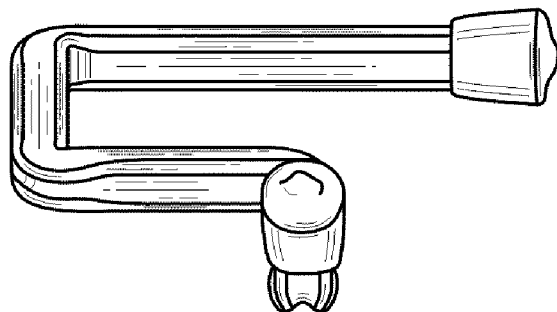


FIG. 13

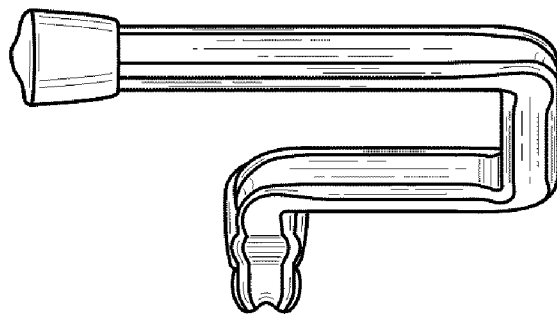


FIG. 14