



US00D659904S

(12) **United States Design Patent**  
**Gilbert**

(10) **Patent No.:** **US D659,904 S**

(45) **Date of Patent:** **\*\* \*May 15, 2012**

(54) **BODY RAZOR**

**DESCRIPTION**

(76) Inventor: **M Todd Gilbert**, Sacramento, CA (US)

(\*) Notice: This patent is subject to a terminal disclaimer.

(\*\*) Term: **14 Years**

(21) Appl. No.: **29/376,098**

(22) Filed: **Oct. 1, 2010**

(51) **LOC (9) Cl.** ..... **28-03**

(52) **U.S. Cl.** ..... **D28/48**

(58) **Field of Classification Search** ..... D28/44-48;  
30/32, 32.05, 34.1-34.2, 41, 44-46, 47-51,  
30/57-58, 77-84, 526-539

See application file for complete search history.

(56) **References Cited**

**U.S. PATENT DOCUMENTS**

D431,681 S *	10/2000	Seger	.....	D28/48
D540,489 S *	4/2007	Leventhal et al.	.....	D28/46
D560,032 S *	1/2008	Lopez	.....	D28/48
D611,653 S *	3/2010	Marut	.....	D28/46
D611,655 S *	3/2010	Askew	.....	D28/48
D623,800 S *	9/2010	Clemons	.....	D28/46

\* cited by examiner

*Primary Examiner* — Jennifer Rivard

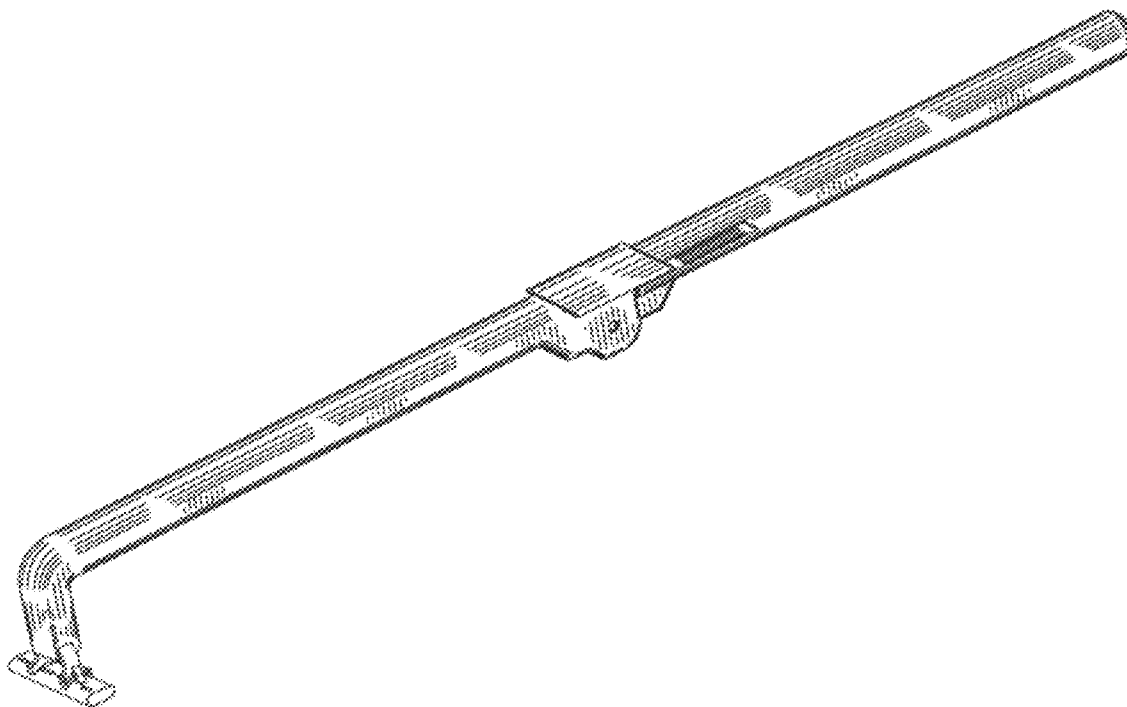
(74) *Attorney, Agent, or Firm* — Steven N. Fox, Esq.

(57) **CLAIM**

The ornamental design for a body razor, as shown and described.

FIG. 1 is a perspective view of a design according to a first embodiment of the present invention;  
 FIG. 2 is a left side elevation view of the design according to the first embodiment of the present invention;, the right side being a mirror view thereof;  
 FIG. 3 is a top view of the design according to the first embodiment of the present invention;  
 FIG. 4 is a bottom view of the design according to the first embodiment of the present invention;  
 FIG. 5 is a rear elevation view of the design according to the first embodiment of the present invention;  
 FIG. 6 is a front elevation view of the design according to the first embodiment of the present invention;  
 FIG. 7 is a perspective view of a design according to a second embodiment of the present invention;  
 FIG. 8 is a left side elevation view of the design according to the second embodiment of the present invention; the right side being a mirror view thereof;  
 FIG. 9 is a top view of the design according to the second embodiment of the present invention;  
 FIG. 10 is a bottom view of the design according to the second embodiment of the present invention;  
 FIG. 11 is a rear elevation view of the design according to the second embodiment of the present invention; and,  
 FIG. 12 is a front elevation view of the design according to the second embodiment of the present invention.  
 The broken lines in the drawings illustrate portions of the article and form no part of the claimed design.

**1 Claim, 4 Drawing Sheets**



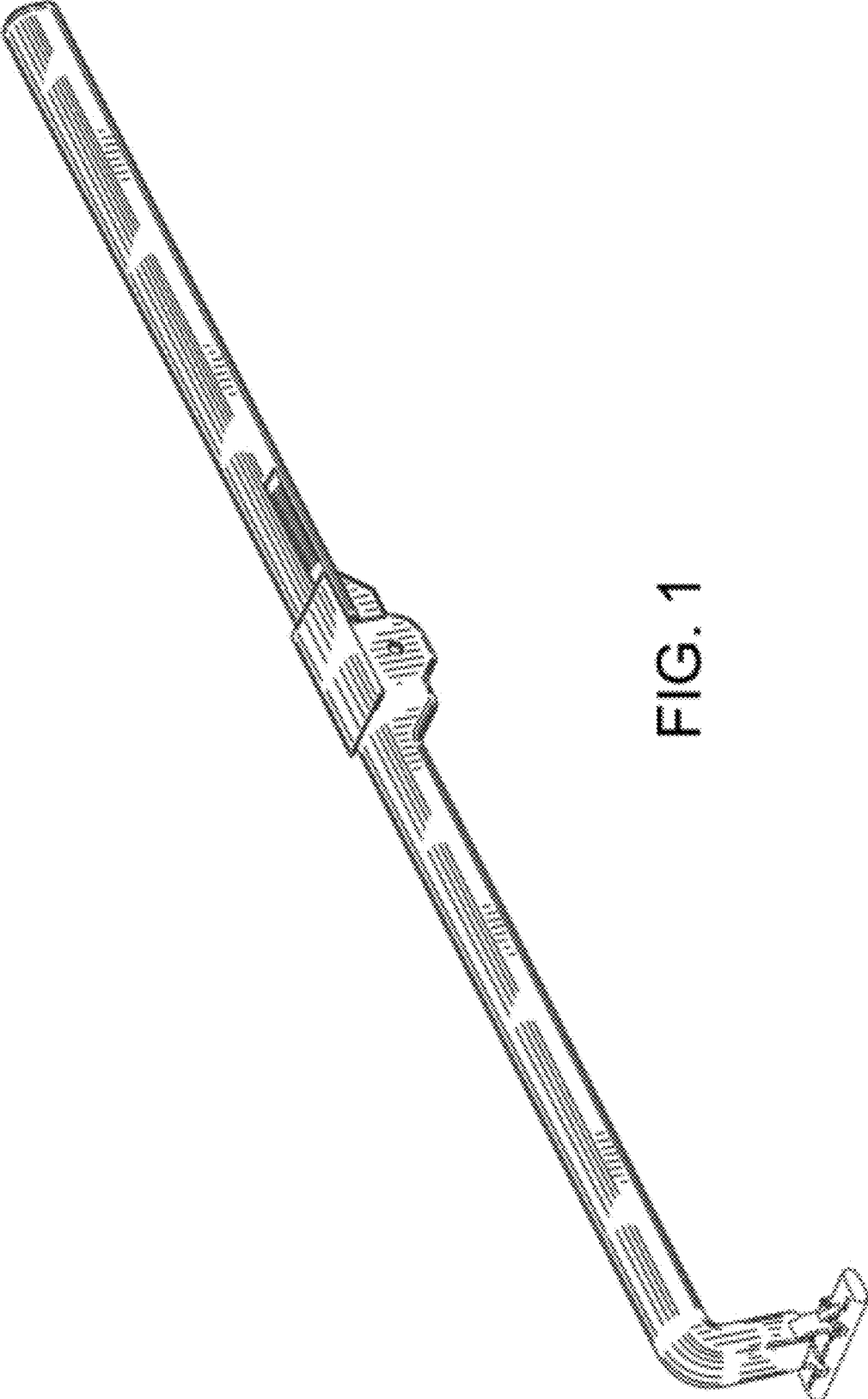


FIG. 1



FIG. 2

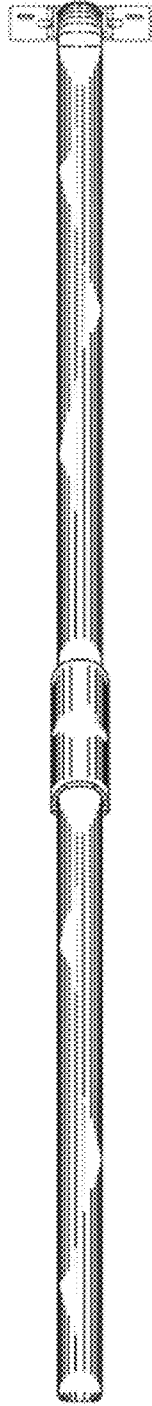


FIG. 3

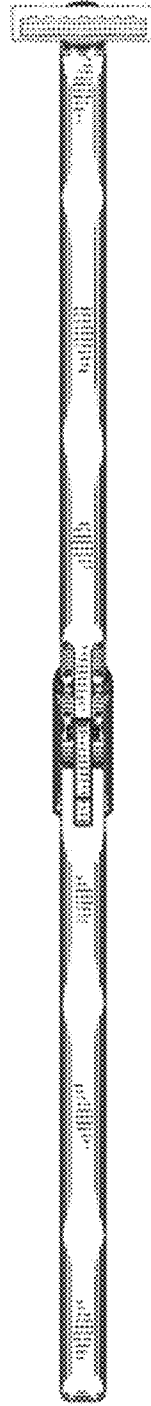


FIG. 4

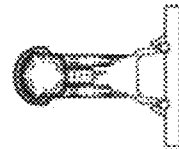


FIG. 5

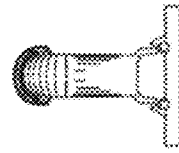


FIG. 6

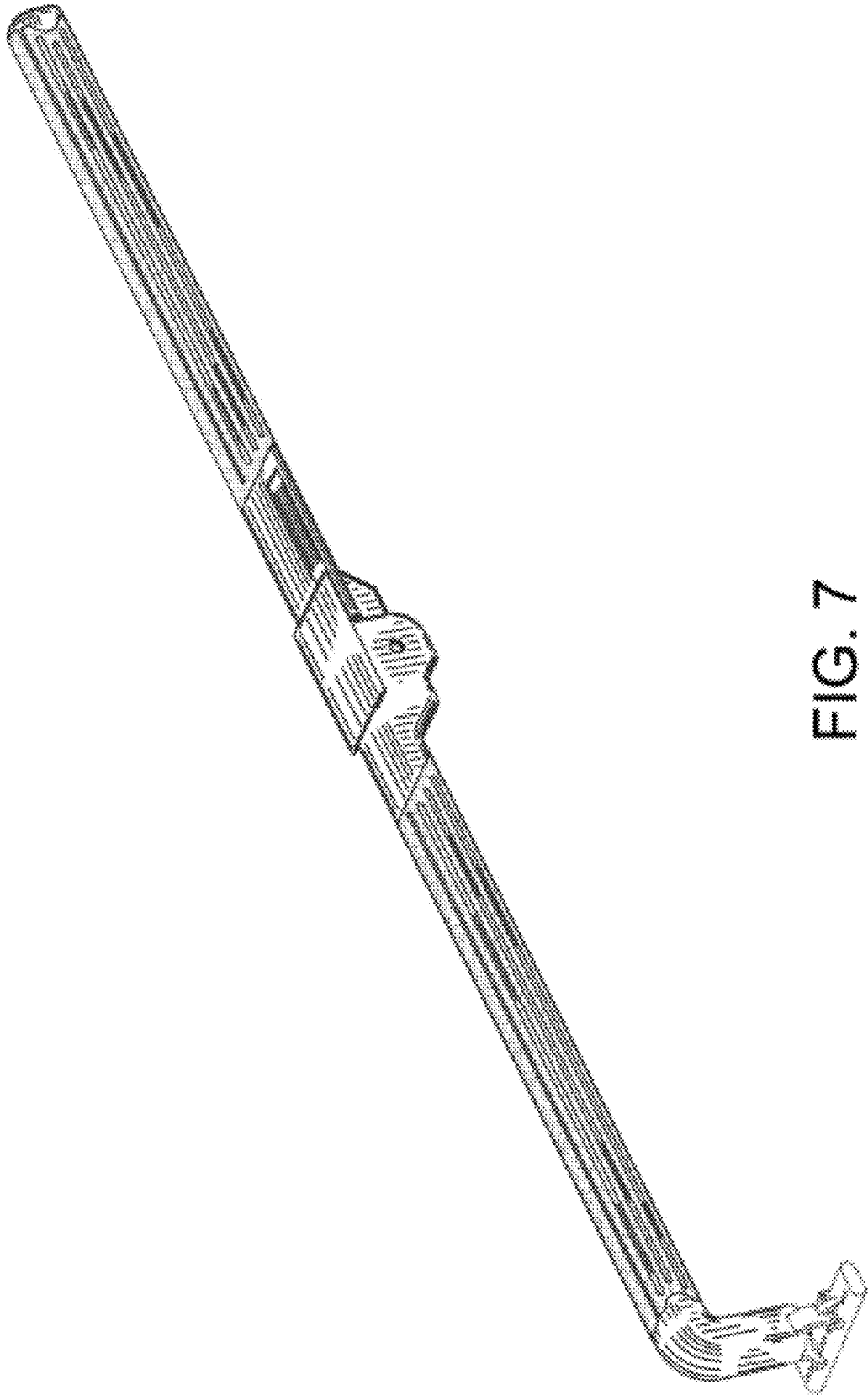


FIG. 7



FIG. 8

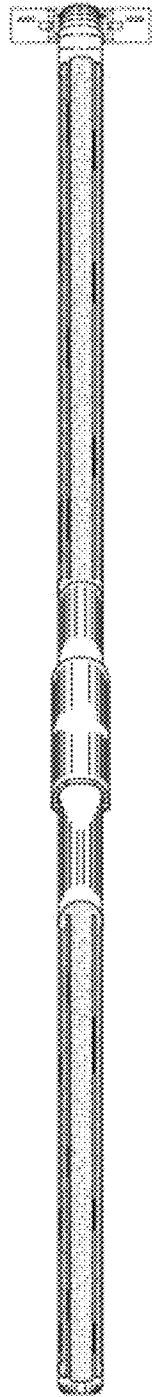


FIG. 9

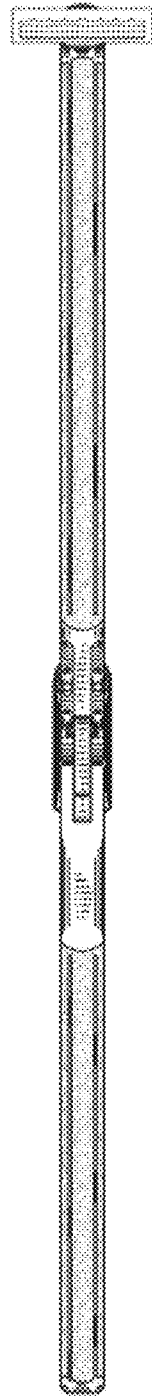


FIG. 10

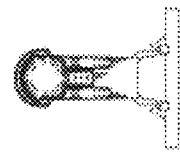


FIG. 11

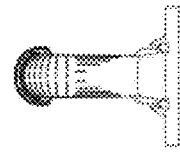


FIG. 12