



US00D423340S

United States Patent [19] Sittig

[11] Patent Number: Des. 423,340

[45] Date of Patent: ** Apr. 25, 2000

[54] **BED RISER SUPPORT**

Technical Drawing, p. 186, support circled at top of page, Nov. 1995.

[75] Inventor: **Wayne Sittig**, Greenfield, Mass.

[73] Assignee: **J. H. Smith Co., Inc.**, Greenfield, Mass.

Primary Examiner—Holly Baynham
Attorney, Agent, or Firm—Steven N. Fox, Esq.

[**] Term: **14 Years**

[57] CLAIM

[21] Appl. No.: **29/093,704**

The ornamental design of a “bed riser support”, as shown and described.

[22] Filed: **Sep. 17, 1998**

[51] **LOC (6) Cl.** **08-05**

[52] **U.S. Cl.** **D8/374**

[58] **Field of Search** D8/374; D6/374;
5/509.1; 248/188.02, 346.01, 346.05, 188.8;
206/416

DESCRIPTION

[56] References Cited

U.S. PATENT DOCUMENTS

D. 336,843	6/1993	Hurst	D8/374
D. 338,360	8/1993	Petersen	D6/495
2,527,603	10/1950	Wallance	248/188.8
4,156,048	5/1979	Davis	428/354
5,615,429	4/1997	Williams	5/509.1

OTHER PUBLICATIONS

Outwater Plastics, p. 434, leg protector located at left of page, Jul. 1983.

Grammes Catalog, p. 59, rivet circled at bottom of page, Jan. 1941.

FIG. 1 is a perspective view of a first embodiment of the present invention;

FIG. 2 is a front elevation view thereof;

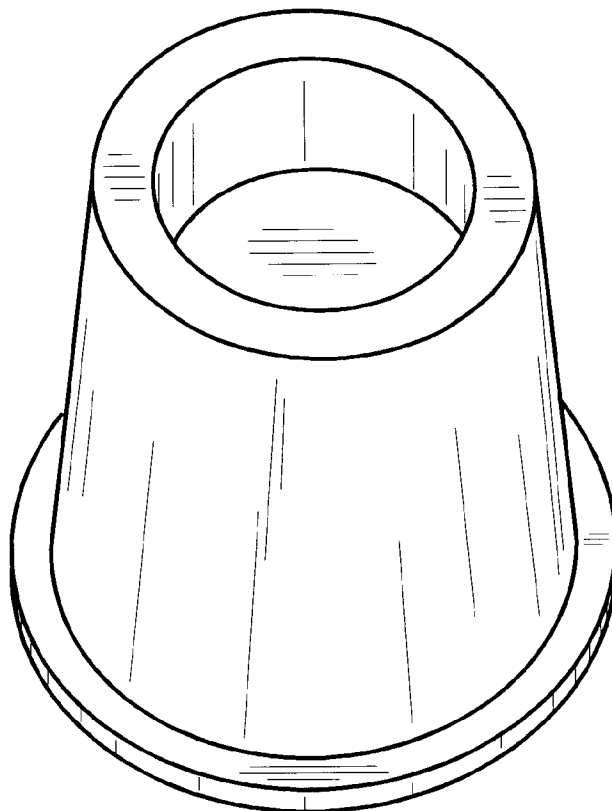
FIG. 3 is a bottom view of the first embodiment of the present invention;

FIG. 4 is a top view of the first embodiment of the present invention; and,

FIG. 5 is a perspective view of the second embodiment of the present invention showing a solid bottom view.

The undisclosed top view of the second embodiment is identical in appearance to the top view shown in the first embodiment of FIG. 1.

1 Claim, 1 Drawing Sheet



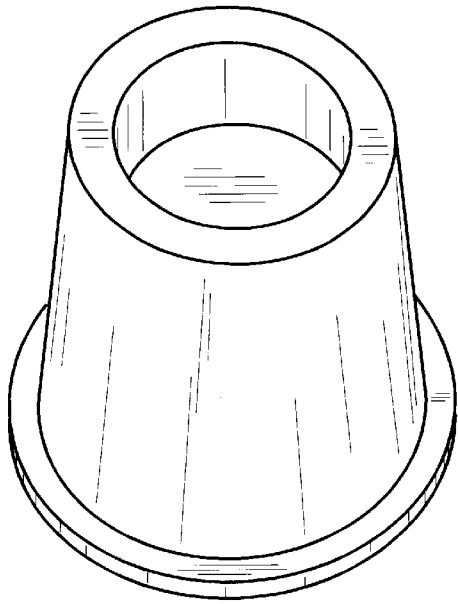


FIG. 1

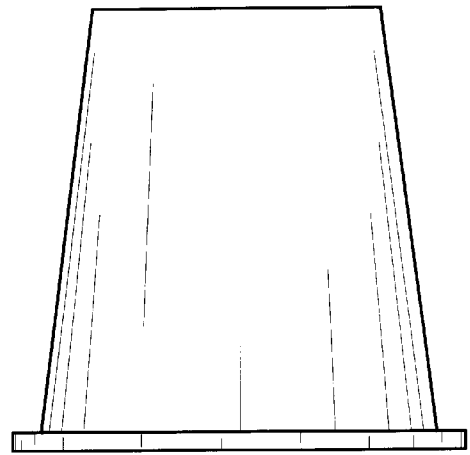


FIG. 2

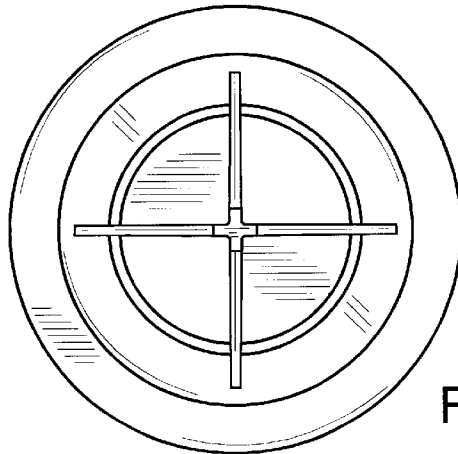


FIG. 3

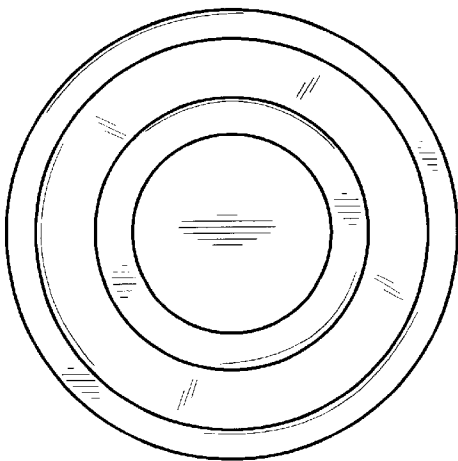


FIG. 4

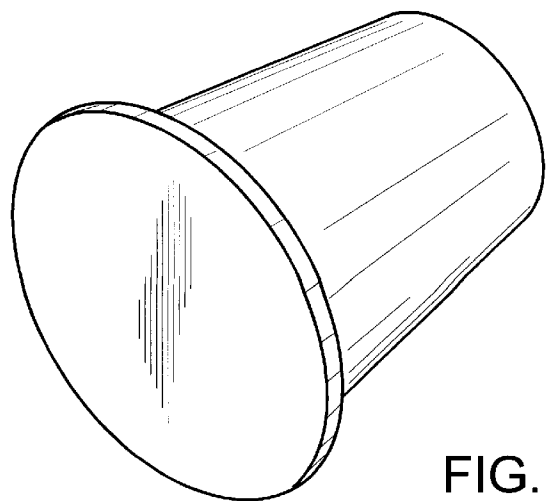


FIG. 5