



US00D602408S

(12) **United States Design Patent**
Hsu

(10) **Patent No.:** **US D602,408 S**

(45) **Date of Patent:** **** Oct. 20, 2009**

(54) **PORTION OF A CAMBER ARM**

(57) **CLAIM**

(76) Inventor: **David Hsu**, 2050 5th St., Norco, CA
(US) 92860

The ornamental design for a portion of a camber arm, as shown and described.

(**) Term: **14 Years**

DESCRIPTION

(21) Appl. No.: **29/323,436**

FIG. 1 is a top front perspective view of the design according to the present invention;

(22) Filed: **Aug. 26, 2008**

FIG. 2 is another top front perspective view of the design according to the present invention;

(51) **LOC (9) Cl.** **12-16**

FIG. 3 is a top rear perspective view of the design according to the present invention;

(52) **U.S. Cl.** **D12/159**

FIG. 4 is a bottom front perspective view of the design according to the present invention;

(58) **Field of Classification Search** **D12/400,**
D12/340, 161, 159, 120, 118, 114; 280/11.225,
280/86.752; 188/315, 316, 298, 274, 281,
188/286, 297; 293/134; 267/195; 279/2.01,
279/2.17

FIG. 5 is a top plan view of the design according to the present invention;

See application file for complete search history.

FIG. 6 is a bottom plan view of the design according to the present invention;

(56) **References Cited**

FIG. 7 is a front elevation view of the design according to the present invention;

U.S. PATENT DOCUMENTS

4,530,514	A *	7/1985	Ito	280/124.13
2004/0021286	A1 *	2/2004	Bombardier et al.	..	280/124.134
2004/0094927	A1 *	5/2004	Nagreski et al.	280/93.512
2005/0127634	A1 *	6/2005	Gerrard	280/124.143
2005/0212244	A1 *	9/2005	Bobbitt et al.	280/86.751
2009/0066051	A1 *	3/2009	Gerrard	280/124.134

FIG. 8 is a rear elevation view of the design according to the present invention;

* cited by examiner

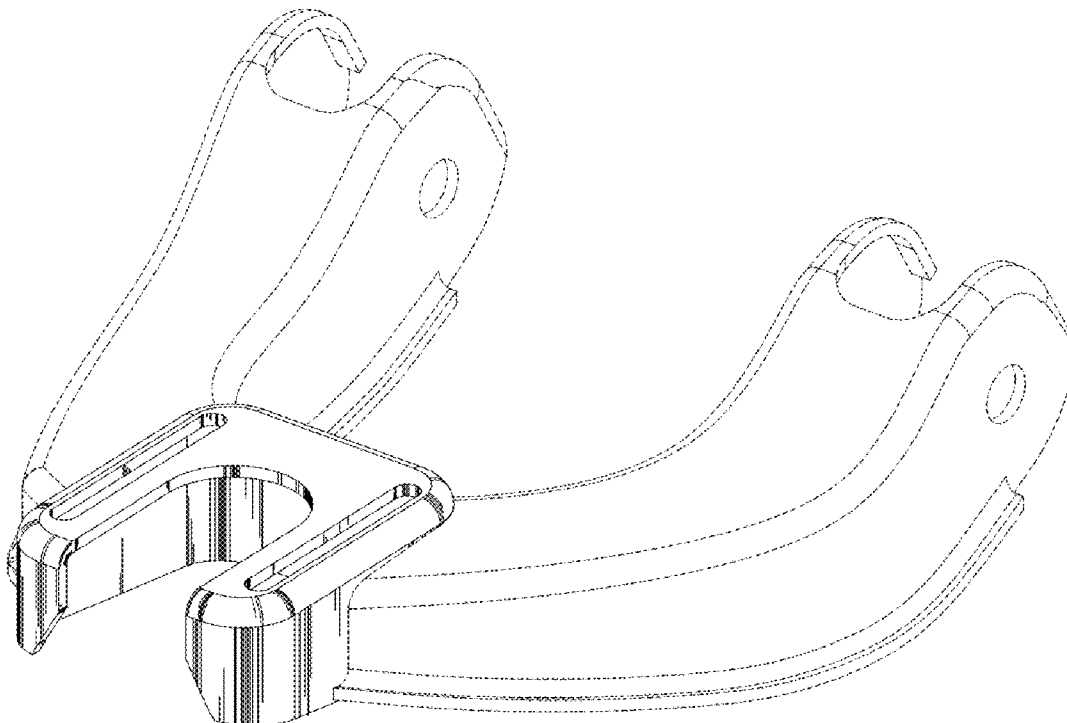
FIG. 9 is a left side elevation view of the design according to the present invention; and,

Primary Examiner—T. Chase Nelson
Assistant Examiner—Michael A Pratt

FIG. 10 is a right side elevation view of the design according to the present invention.

The broken lines in the drawings are environmental and form no part of the claimed design.

1 Claim, 10 Drawing Sheets



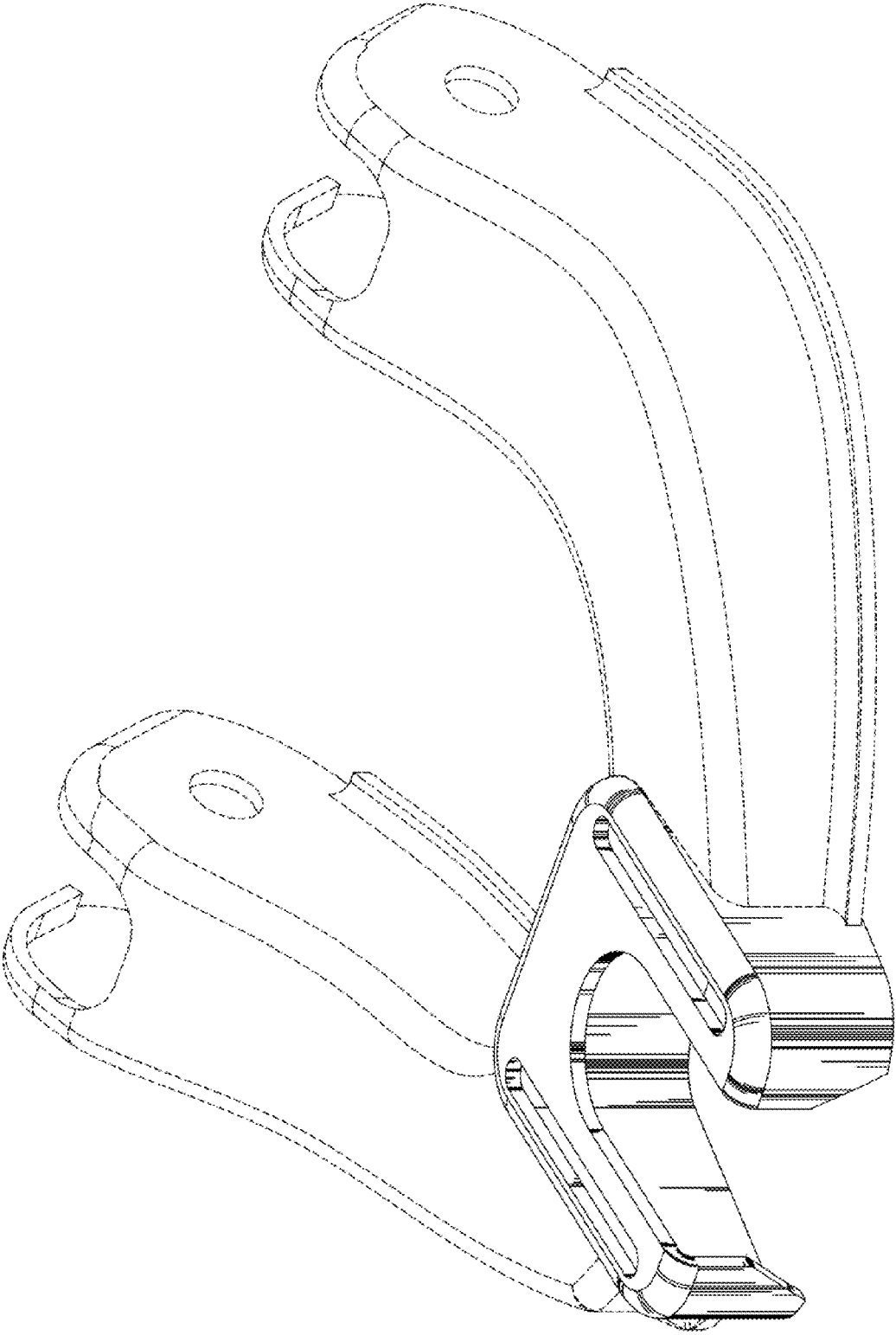


FIG. 1

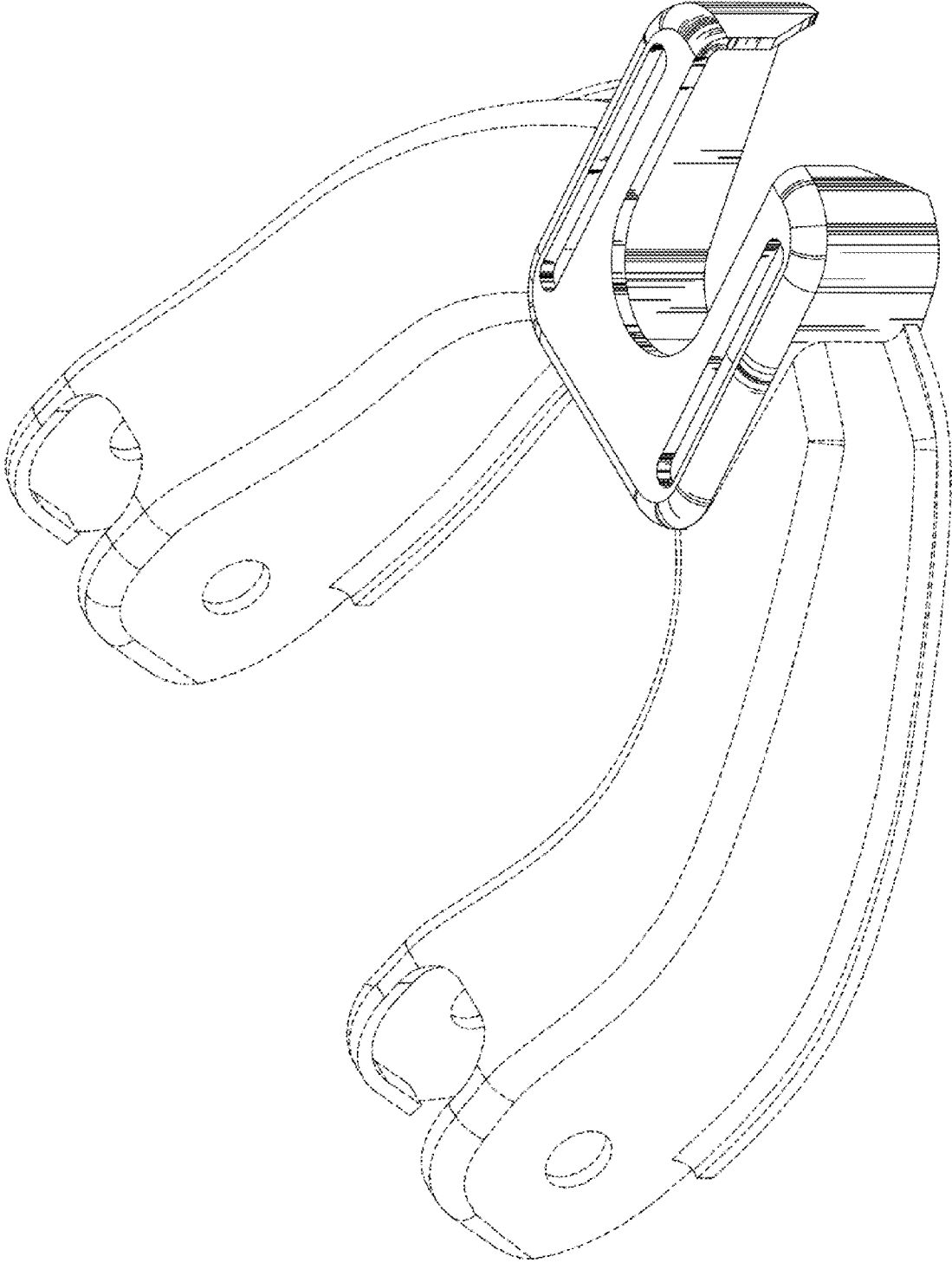


FIG. 2

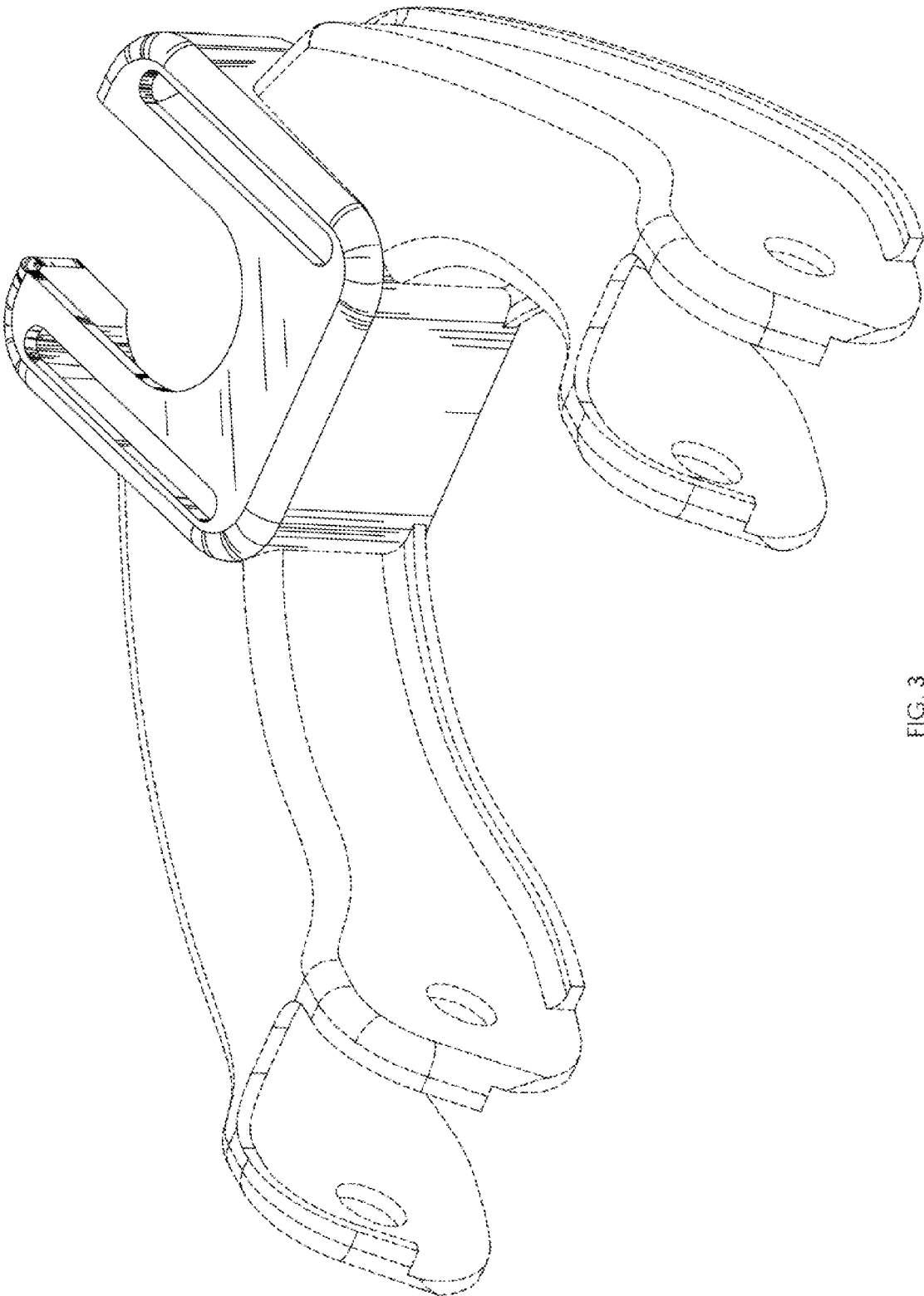


FIG. 3

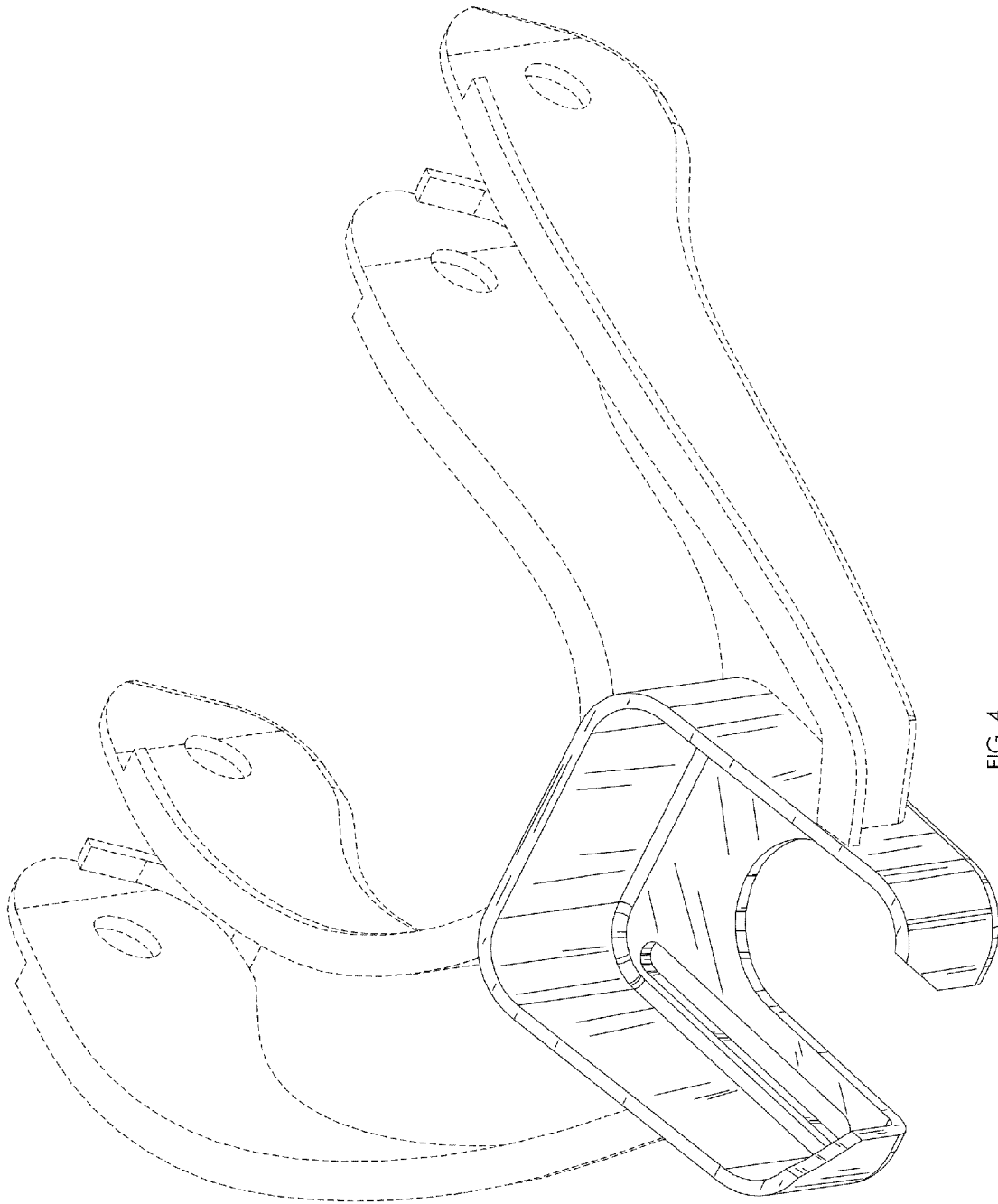


FIG. 4

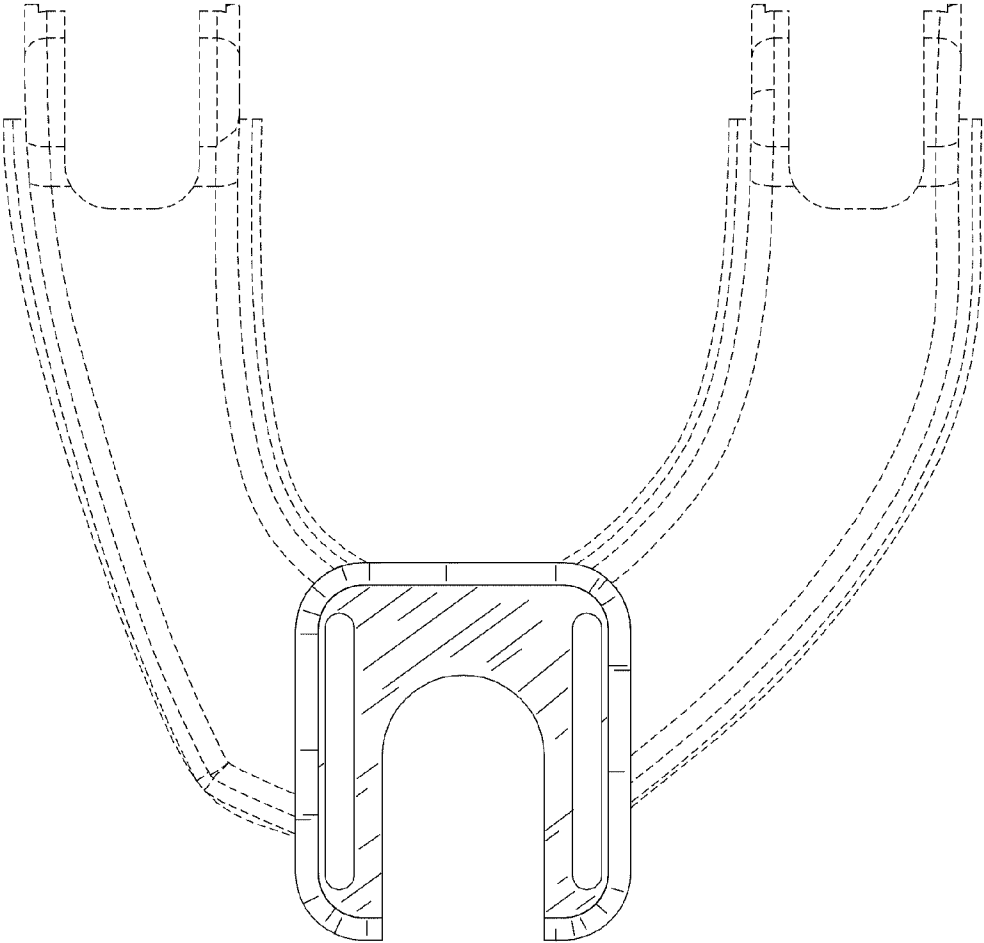


FIG. 5

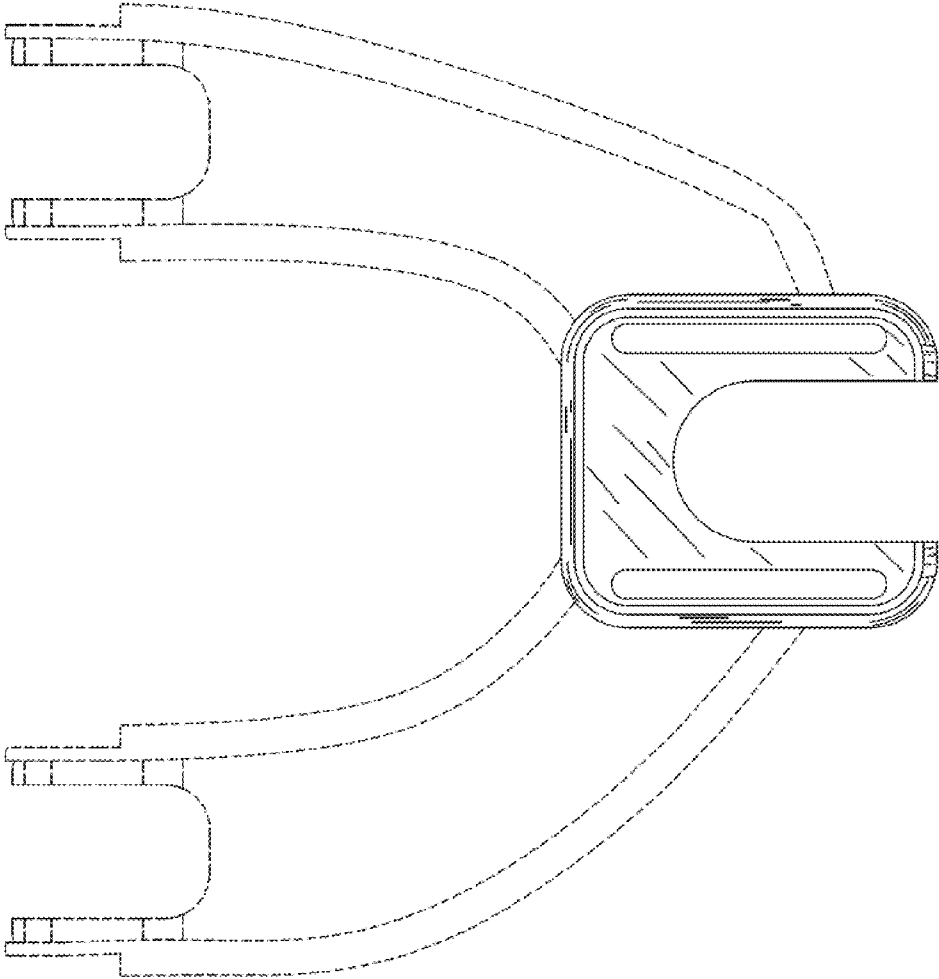


FIG. 6

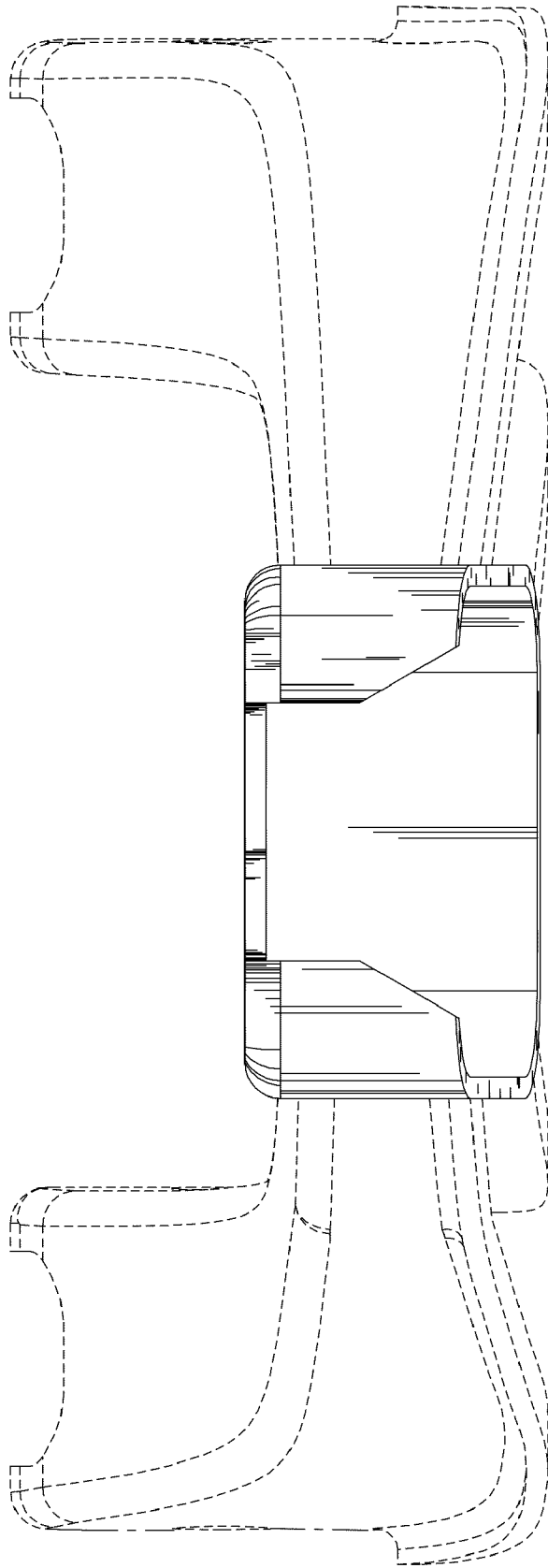


FIG. 7

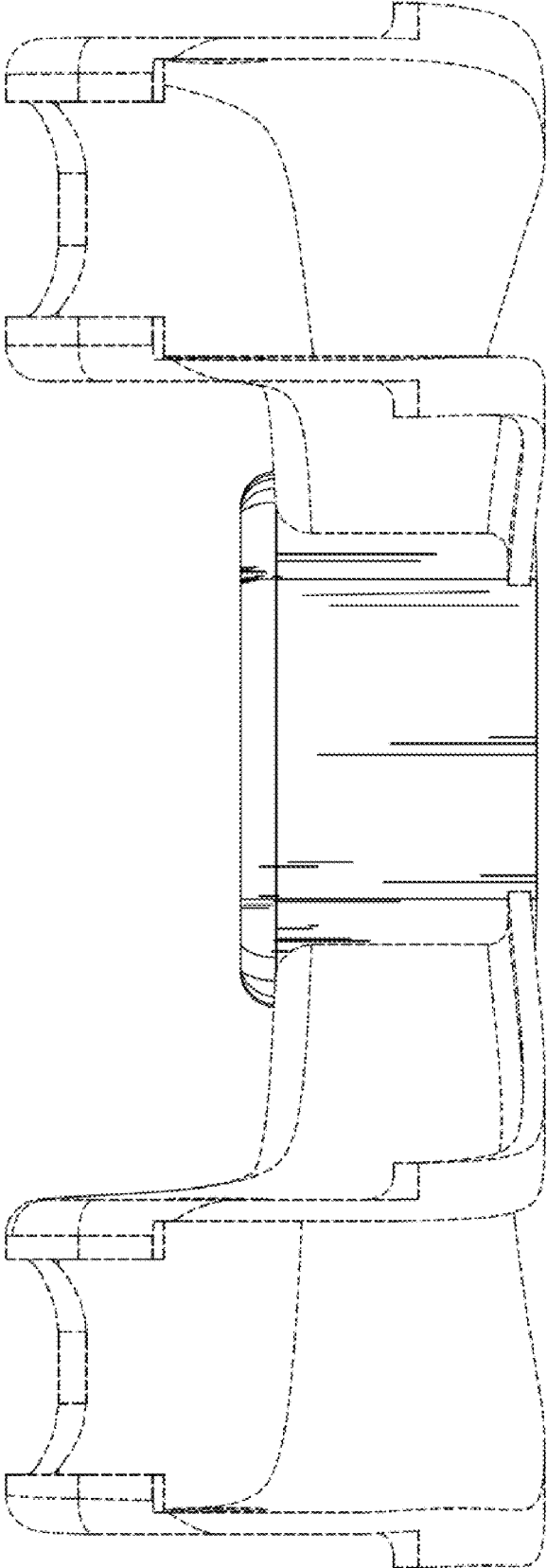


FIG. 8

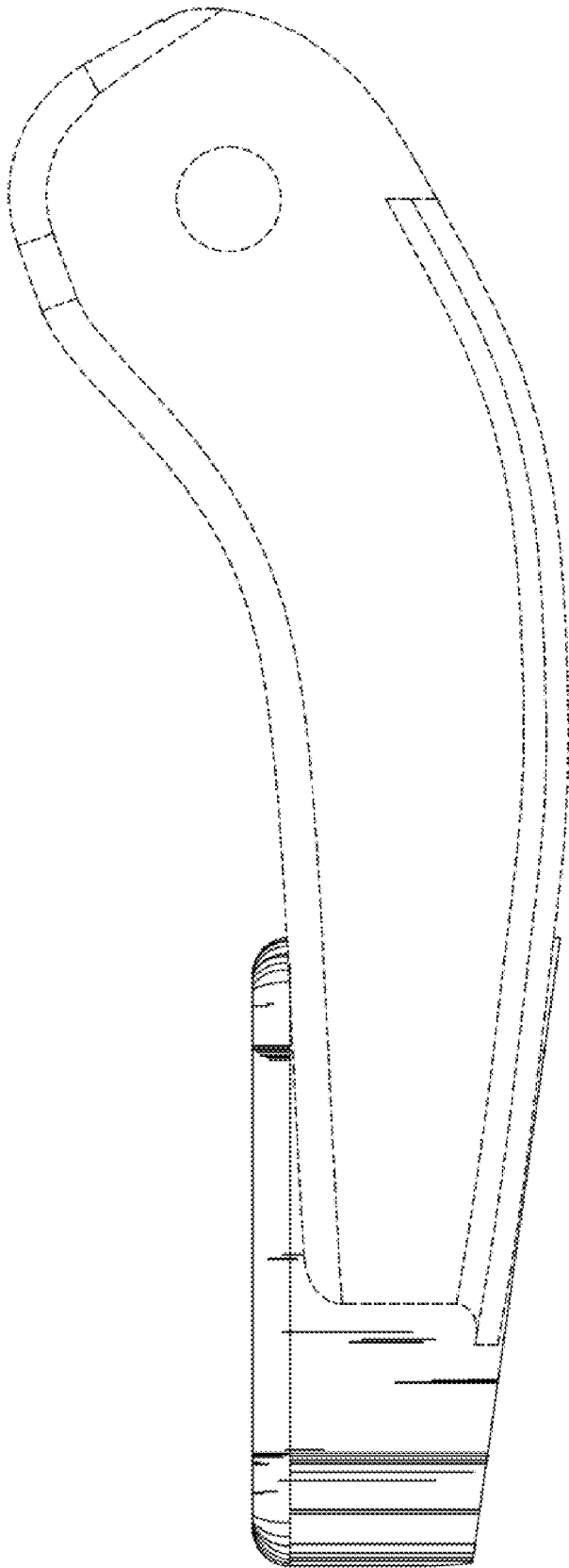


FIG. 9

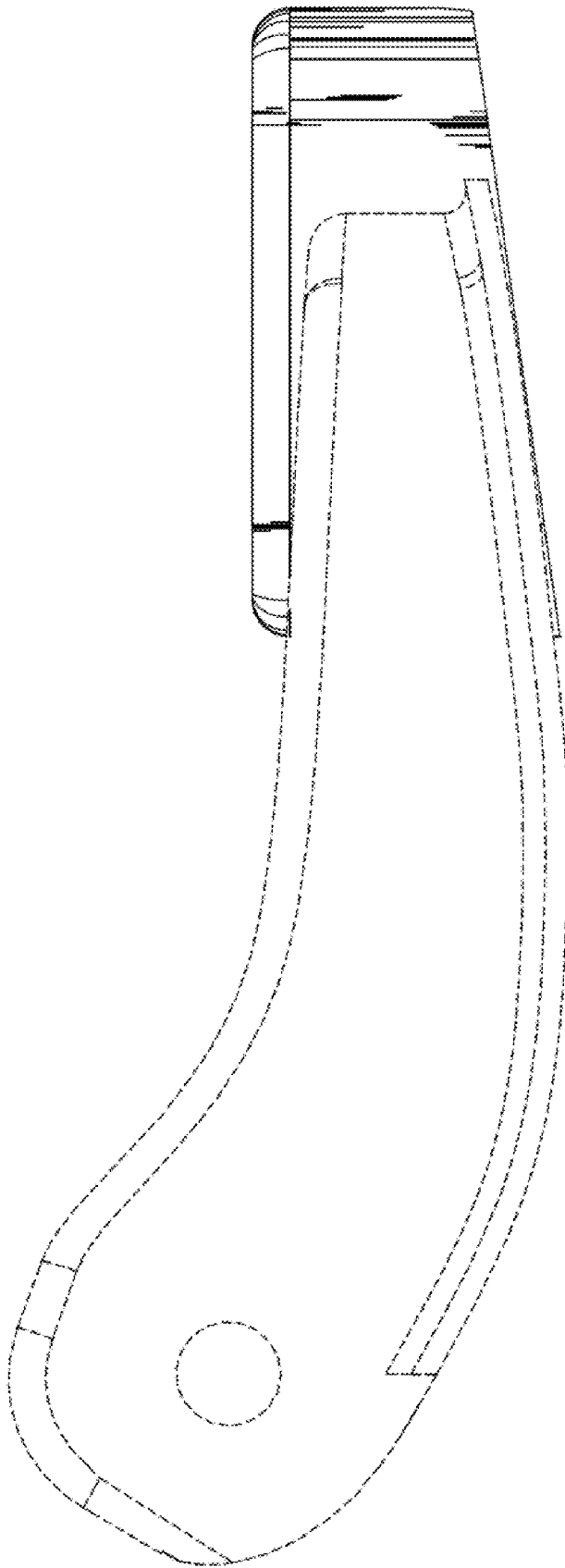


FIG. 10