



US00D677700S

(12) **United States Design Patent**
Hsu et al.

(10) **Patent No.:** **US D677,700 S**
(45) **Date of Patent:** **** Mar. 12, 2013**

(54) **INTAKE MANIFOLD**
(71) Applicants: **David Hsu**, Norco, CA (US); **Clinton Yee**, Corona, CA (US); **Jeffrey G. Giovino**, Oak Hills, CA (US); **Ming Wong**, San Diego, CA (US)
(72) Inventors: **David Hsu**, Norco, CA (US); **Clinton Yee**, Corona, CA (US); **Jeffrey G. Giovino**, Oak Hills, CA (US); **Ming Wong**, San Diego, CA (US)

D517,567 S *	3/2006	Teeter	D15/5
7,086,365 B1 *	8/2006	Teeter	123/184.21
7,387,099 B2 *	6/2008	Brachos et al.	123/184.24
7,434,558 B2 *	10/2008	Shinada et al.	123/184.47
8,056,534 B2 *	11/2011	Magnan et al.	123/336
D654,094 S *	2/2012	Dralle	D15/5
8,122,864 B2 *	2/2012	Randall et al.	123/184.21
2002/0083911 A1 *	7/2002	Ward et al.	123/184.55
2006/0254552 A1 *	11/2006	Brachos et al.	123/184.46
2007/0199535 A1 *	8/2007	Shinada et al.	123/184.57
2010/0294225 A1 *	11/2010	Randall et al.	123/184.21
2010/0294227 A1 *	11/2010	Magnan et al.	123/184.55

(73) Assignee: **Group A Autosports, Inc.**, Norco, CA (US)

(**) Term: **14 Years**

(21) Appl. No.: **29/432,949**

(22) Filed: **Sep. 24, 2012**

(51) **LOC (9) Cl.** **15-01**

(52) **U.S. Cl.** **D15/5**

(58) **Field of Classification Search** D15/1-6;
23/41.73; 123/210, 41.7, 184.21, 184.35,
123/184.43, 184.48

See application file for complete search history.

(56) **References Cited**

U.S. PATENT DOCUMENTS

4,765,286 A *	8/1988	Lyjak et al.	123/184.55
4,805,564 A *	2/1989	Hudson, Jr.	123/184.42

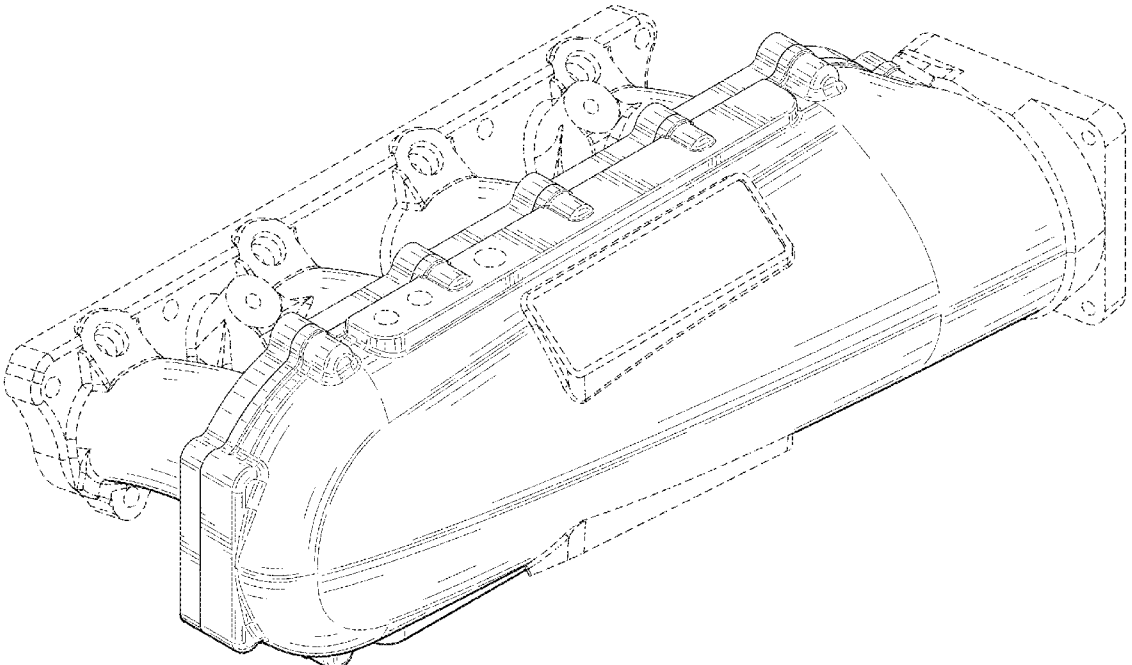
* cited by examiner
Primary Examiner — T. Chase Nelson
Assistant Examiner — Ania Aman
(74) *Attorney, Agent, or Firm* — Steven N. Fox, Esq

(57) **CLAIM**
The ornamental design for an intake manifold, as shown and described.

DESCRIPTION

FIG. 1 is a front perspective view of an intake manifold according to the present invention;
FIG. 2 is a top view thereof;
FIG. 3 is a bottom view thereof;
FIG. 4 is a front view thereof;
FIG. 5 is a rear view thereof;
FIG. 6 is a right side view thereof;
FIG. 7 is a left side view thereof; and,
FIG. 8 is a bottom perspective view.

1 Claim, 7 Drawing Sheets



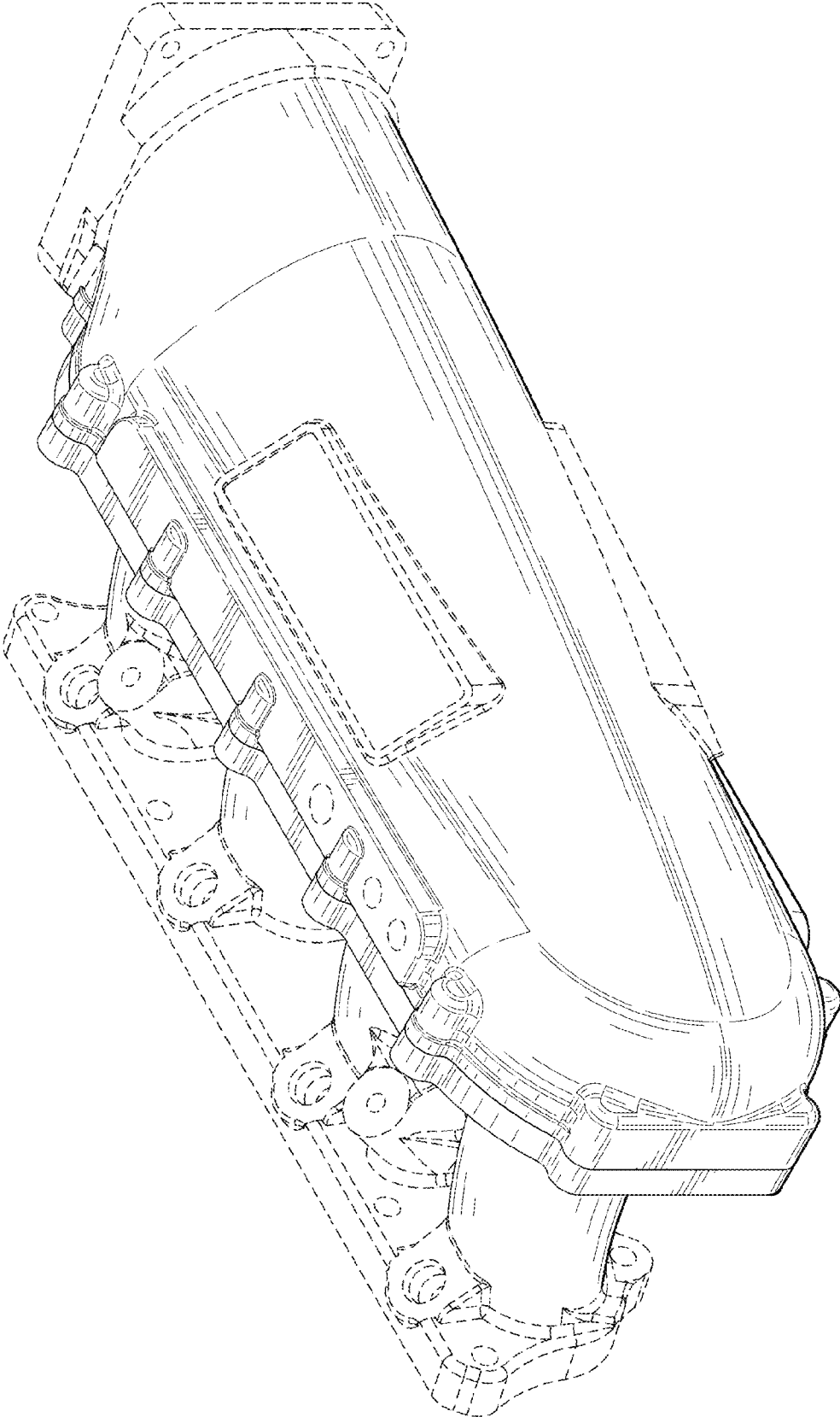


FIG. 1

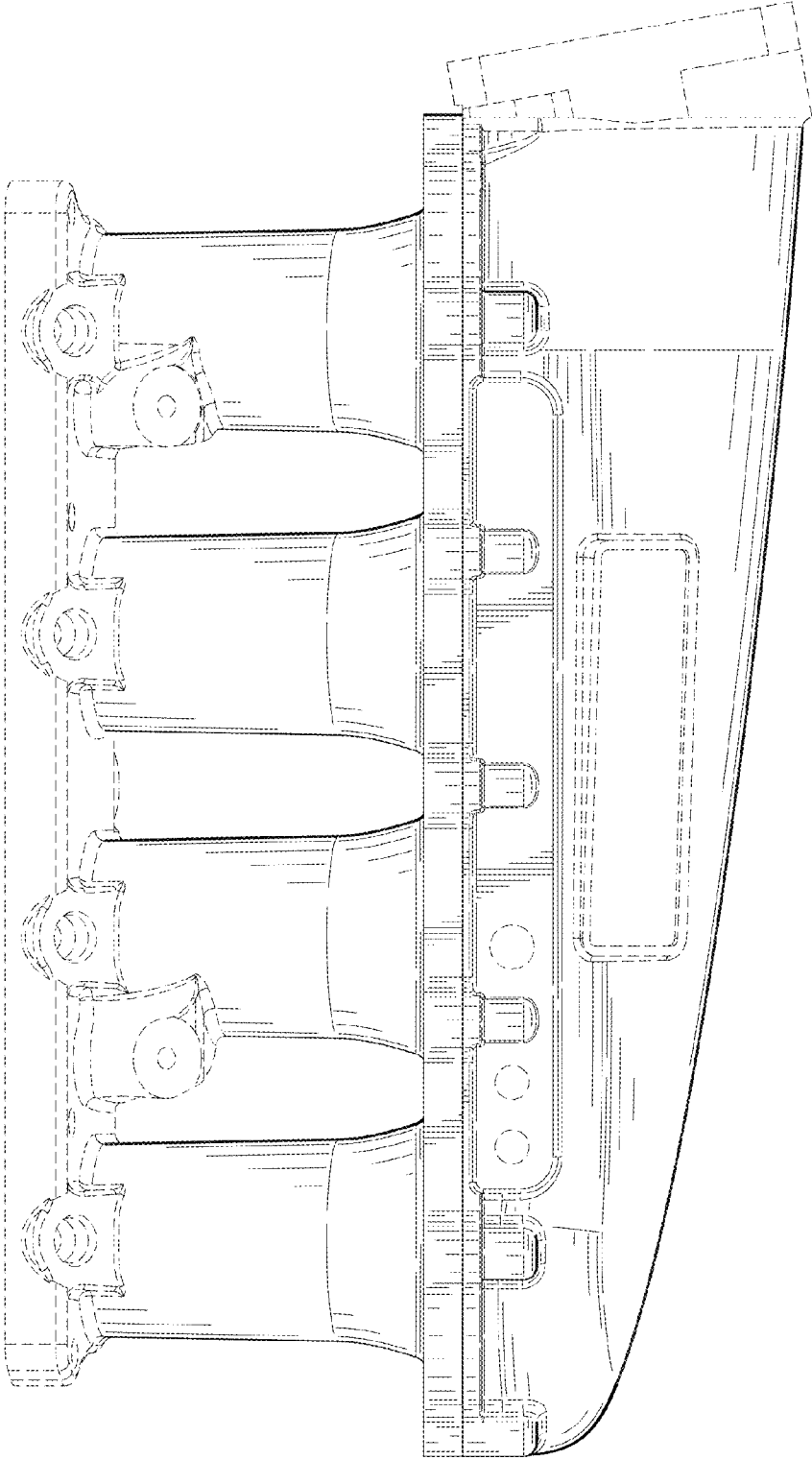


FIG. 2

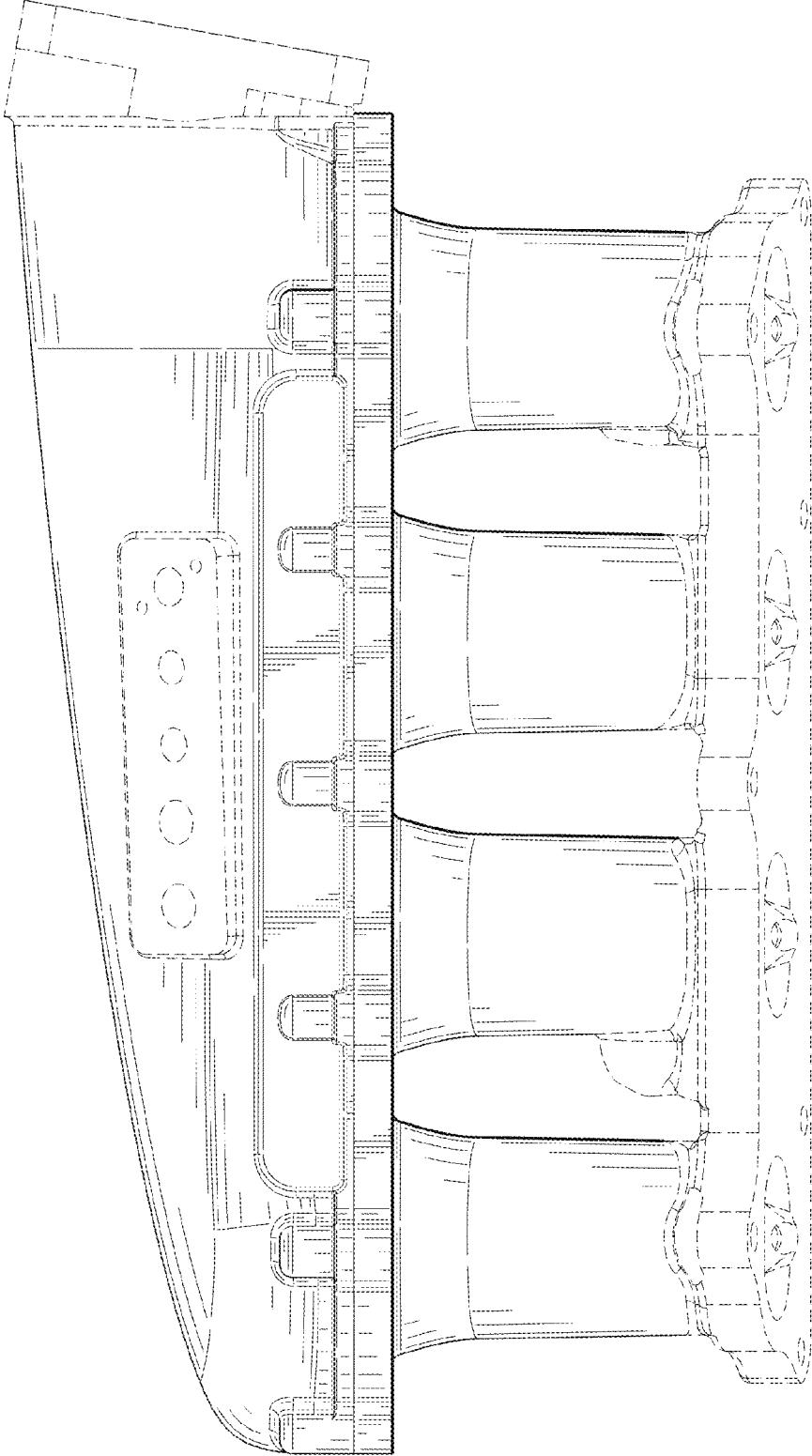


FIG. 3

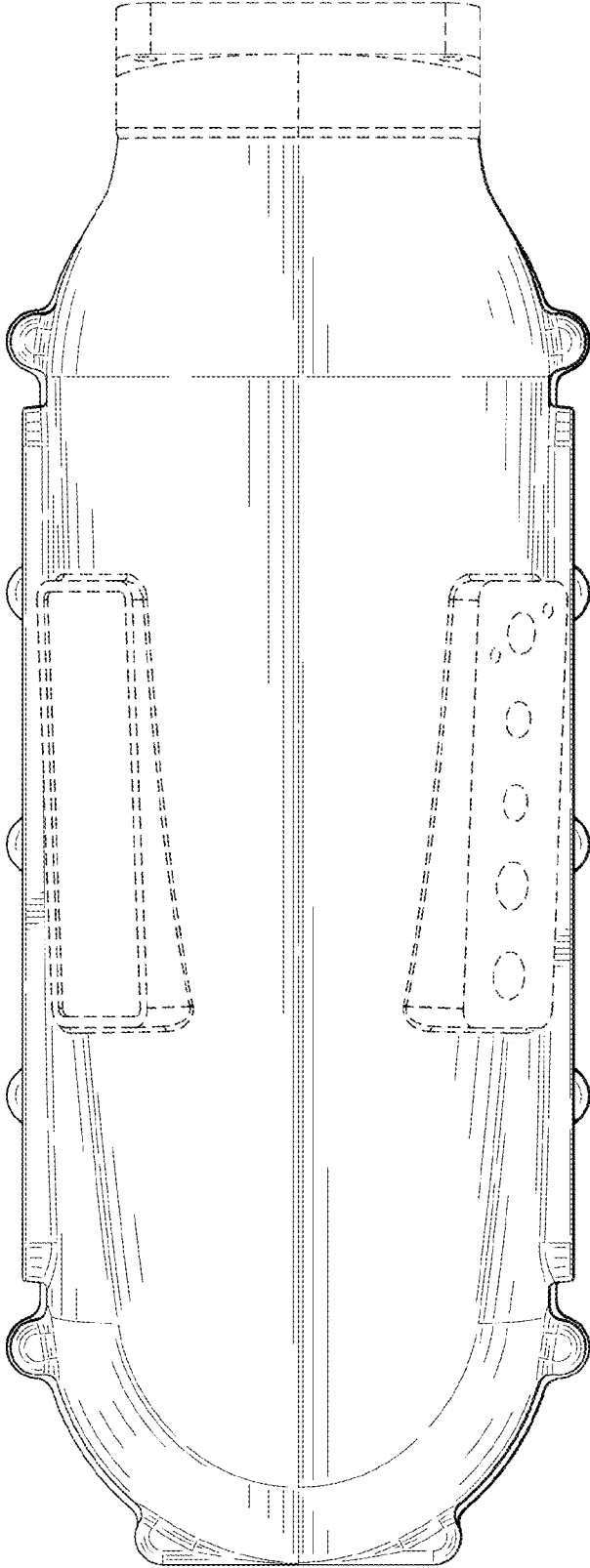


FIG. 4

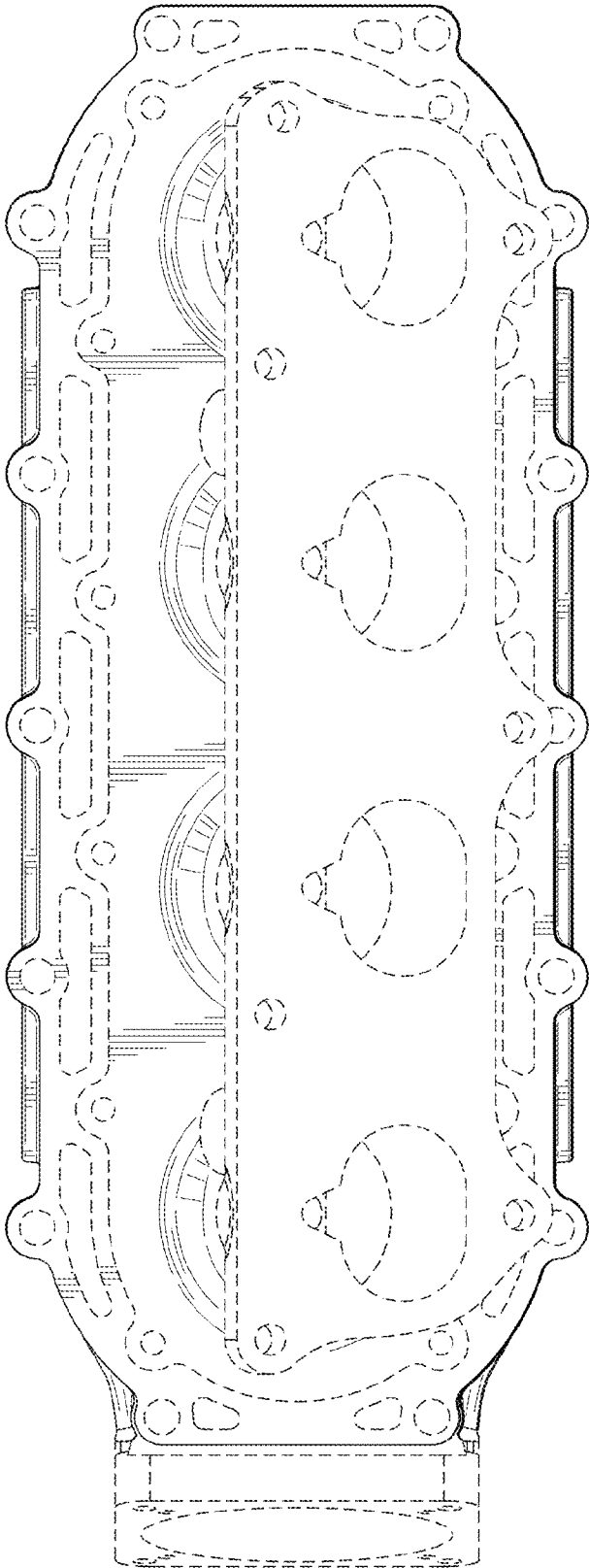


FIG. 5

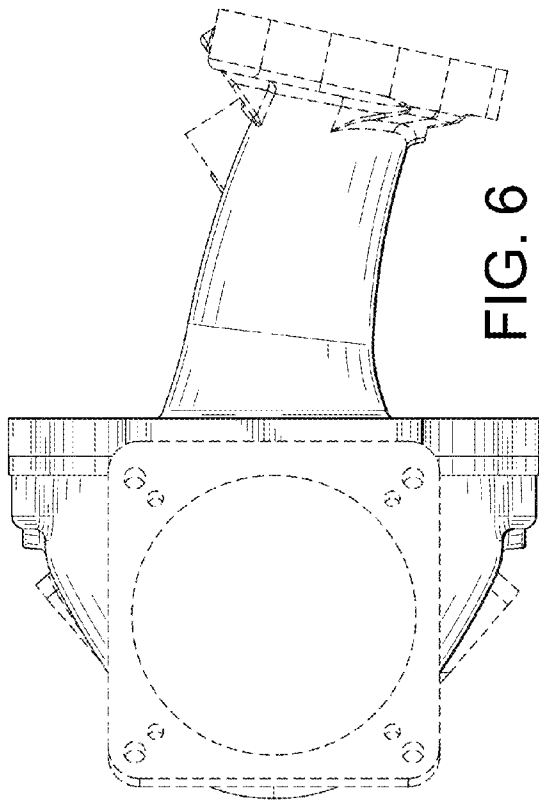


FIG. 6

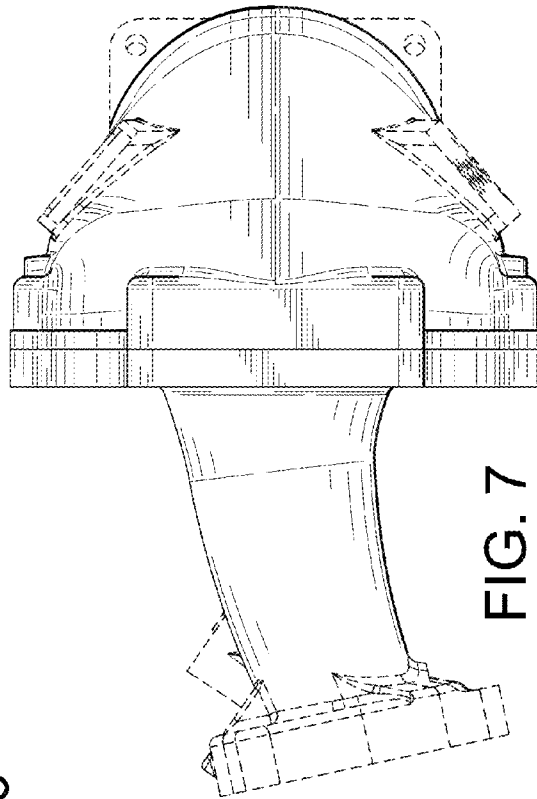


FIG. 7

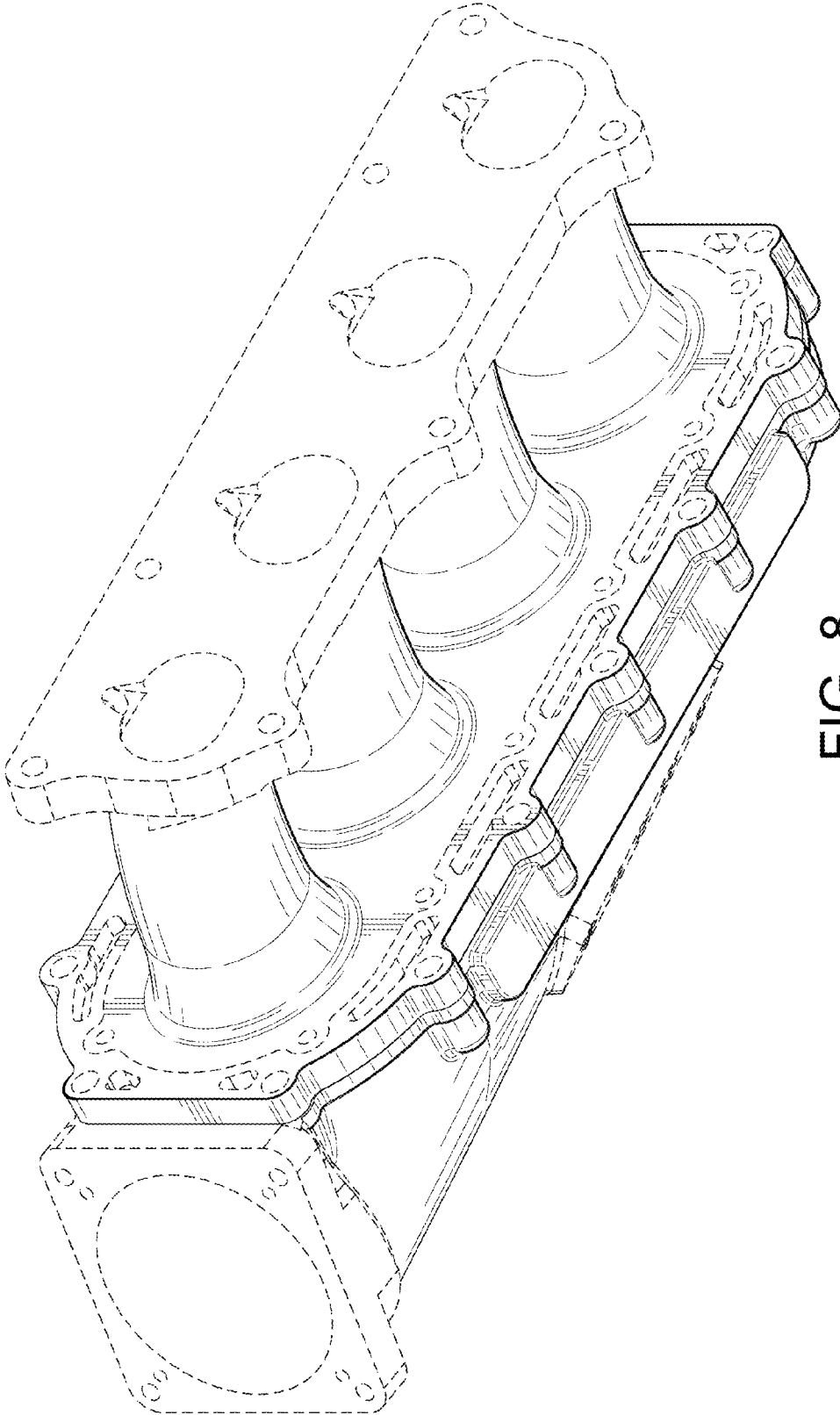


FIG. 8