



US005964038A

**United States Patent** [19]  
**DeVito**

[11] **Patent Number:** **5,964,038**  
[45] **Date of Patent:** **Oct. 12, 1999**

[54] **DEVICE FOR CUTTING HAIR**

OTHER PUBLICATIONS

[76] Inventor: **Pasquale DeVito**, 59 Gaffney Rd.,  
Dedham, Mass. 02026

A. Eickert Co., Inc. Catalog entitled "Professional Scissor and  
Shear Collection" pp. 1-11 (undated).

[21] Appl. No.: **08/926,501**

*Primary Examiner*—Hwei-Siu Payer  
*Attorney, Agent, or Firm*—Steven N. Fox, Esq.

[22] Filed: **Sep. 10, 1997**

[57] **ABSTRACT**

**Related U.S. Application Data**

[60] Provisional application No. 60/051,182, Jun. 28, 1997.

Disclosed is a device for use by a hair stylist to cut the hair of a person. In one embodiment, the device comprises first and second blade members each having a handle portion and a blade portion. Each of the blade portions has a cutting edge and a non-cutting edge terminating in a dull or rounded end. By movement of the handles, the blade portions are rotatable from a closed position to an open position. In the closed position, the non-cutting edges of the blade portions are spaced apart to form a first V-shaped gap which may receive but not cut any hair. In the open position, the cutting edges of the blade portions are spaced part and any hair placed therein is cut when the blade portions are moved to the closed position. In both the open and close positions, the cutting edges can never be brought into contact with the stylist's hands and fingers or the skin of the client. With the device of the present invention, a hair stylist has freedom to perform a wide variety of hair cutting techniques without being inhibited by the fear of cutting his/her fingers and/or the skin of the person.

[51] **Int. Cl.<sup>6</sup>** ..... **B26B 13/06**

[52] **U.S. Cl.** ..... **30/226; 30/254**

[58] **Field of Search** ..... 30/244, 226, 254,  
30/257, 256; D8/53, 57

[56] **References Cited**

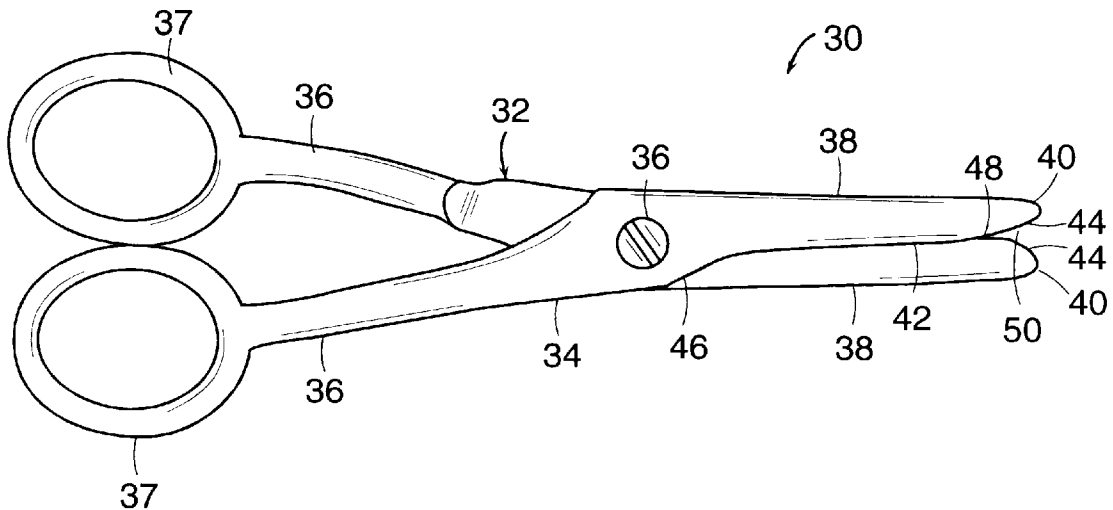
**U.S. PATENT DOCUMENTS**

148,854	3/1874	Secor	30/226
550,483	11/1895	Carrier	30/226
681,972	9/1901	Postlethwait	30/226
1,374,819	4/1921	Byer	30/226
2,557,553	6/1951	Metzger	30/254
2,840,905	7/1958	Geiger	30/226
2,852,846	9/1958	Ahlbin	30/257
3,325,897	6/1967	Luebke	30/254
5,501,016	3/1996	Kuribayashi	30/254

**FOREIGN PATENT DOCUMENTS**

6-190156	7/1994	Japan	30/254
----------	--------	-------	--------

**18 Claims, 2 Drawing Sheets**



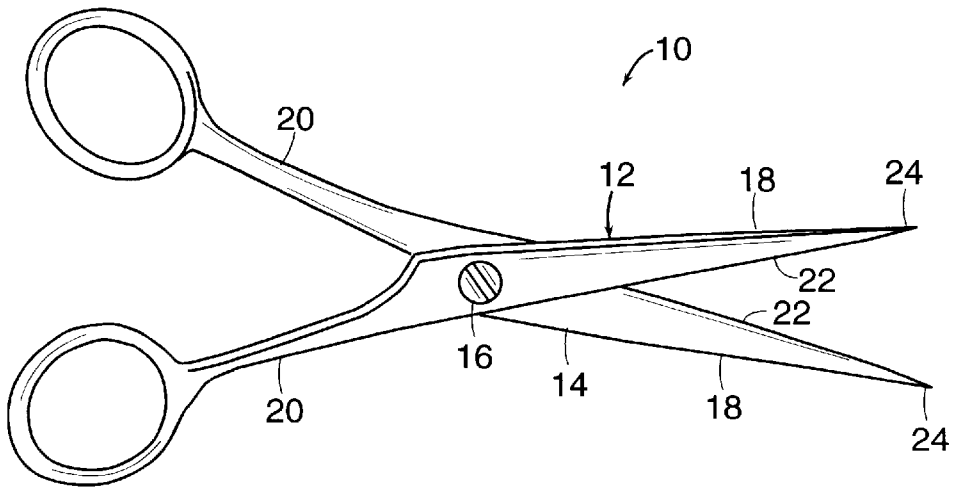


FIG. 1A  
(PRIOR ART)

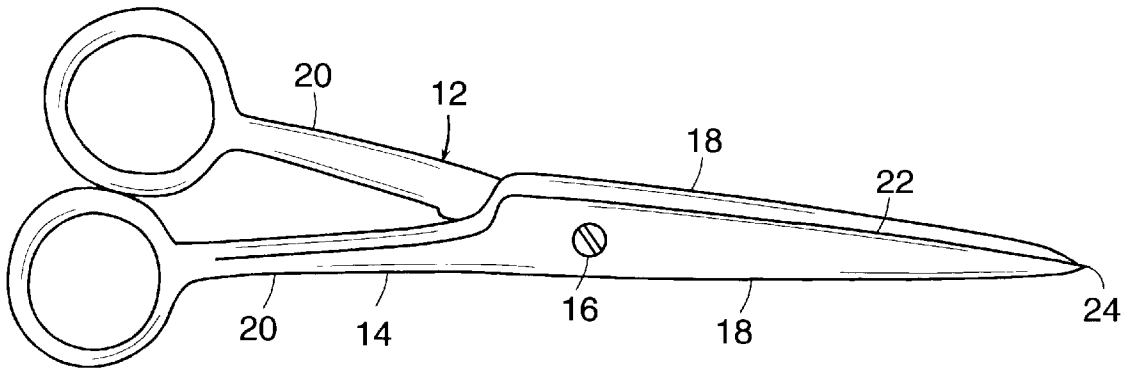
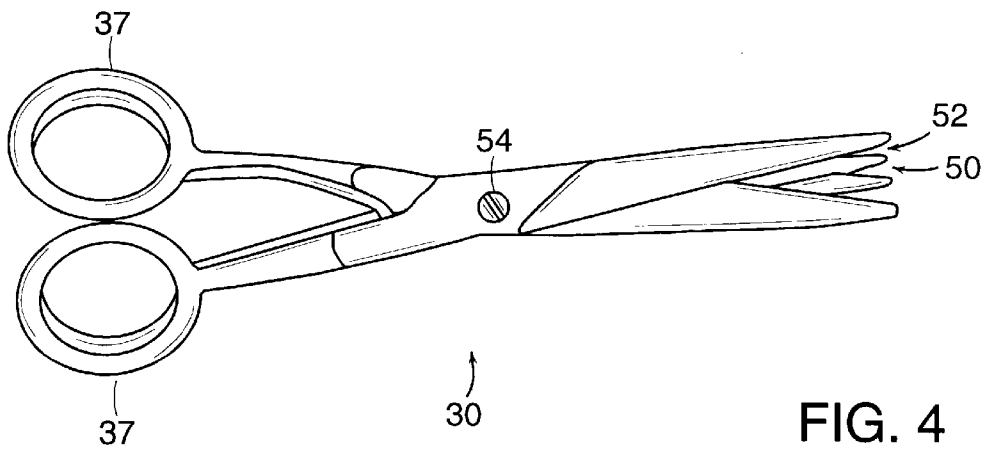
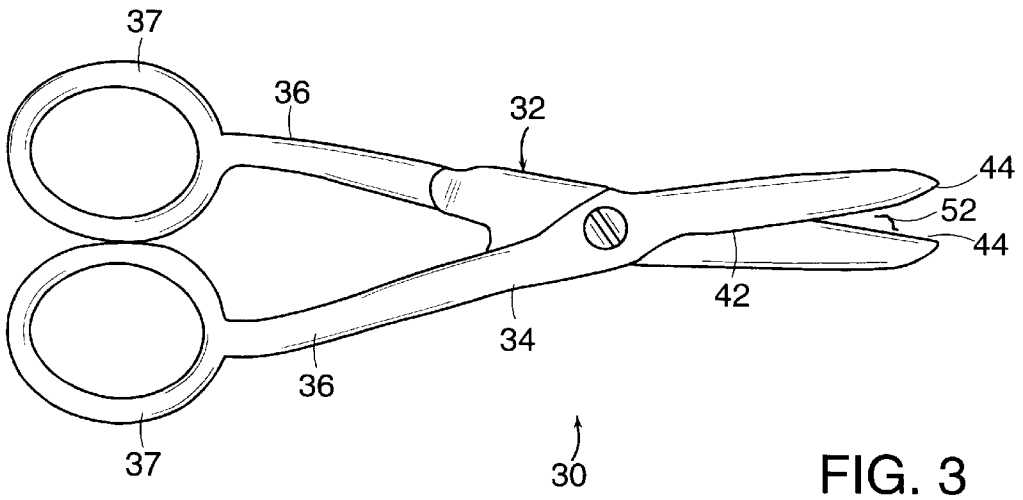
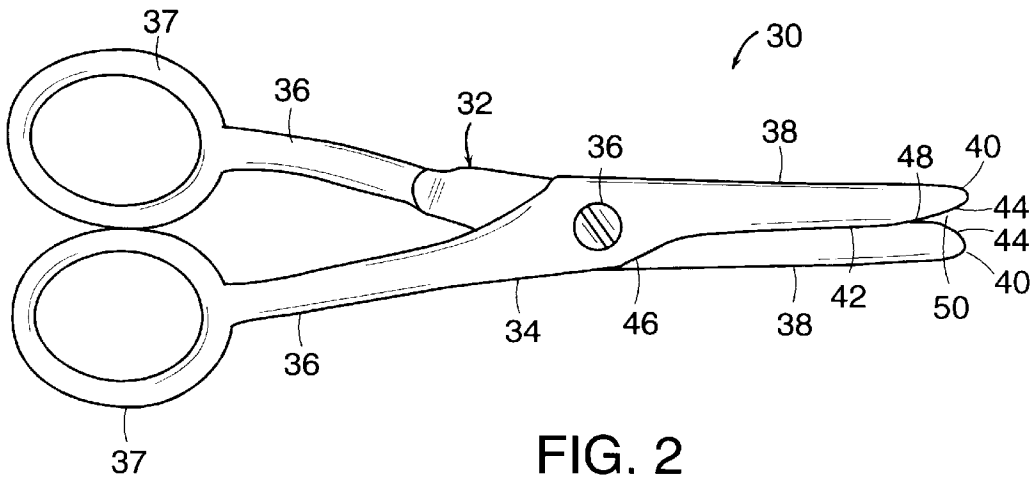


FIG. 1B  
(PRIOR ART)



1

**DEVICE FOR CUTTING HAIR**

This application claims benefit of Provisional Application Ser. No. 60/051,182, filed Jun. 28, 1997.

**FIELD OF THE INVENTION**

The present invention relates generally to devices used by hair stylists to cut hair. More specifically, the present invention relates to scissors used by hair stylists to cut hair.

**BACKGROUND OF THE INVENTION**

A conventional scissor **10** commonly used by professional hair stylists to cut the hair of a person is shown in FIG. **1A** (open position) and FIG. **1B** (closed position). Such a conventional scissor **10** generally has first and second blade members **12** and **14** rotatably connected to each other about a pivot point **16**. Each of the first and second blade members **12** and **14** have a blade portion **18** and a handle portion **20**. Each of the blade portions **18** have a cutting edge **22** extending along the entire length of the blade portion **18** and terminating at a sharp end point **24**. When the scissor **10** is closed by moving the handles **20** of blade members **12** and **14** together, the blade portions **18** and cutting edge **22** are completely closed and overlap each other and cut any hair which has been placed therein. Scissors of the type exemplified by FIG. **1** have numerous drawbacks which restrict the ability of the hair stylist to provide a clean and stylish hair cut. In that the cutting edges **22** of the scissor **10** extend along the entire length of the blade portions **18**, the hair stylist must be careful only to allow that portion of the hair which is to be cut to enter the space between the blade portions **18** of the blade members **12** and **14**. This restricts the ability of the hair stylist to perform a wide variety of hair cutting techniques such as interior edging, point cutting, slide cutting, notching, chipping, layering, and sizing. In that the blade portions **18** terminate in a sharp end point **24**, the hair stylist frequently cuts various portions of his/her hands and fingers and the skin of the person during various hair cutting techniques thereby inhibiting the stylist from aggressively performing such hair cutting techniques.

**SUMMARY OF THE PRESENT INVENTION**

One object of the present invention is to develop a device for cutting the hair of a person that can be used by a hair stylist to comfortably and quickly perform a wide variety of hair cutting techniques.

Another object of the present invention is develop a device for cutting the hair of a person that can be safely used by a hair stylist to avoid injury to the hands and fingers of the stylist and the scalp or other skin area of the person.

In one embodiment, the device comprises first and second blade members each having a handle portion and a blade portion. Each of the blade portions has a cutting edge and a non-cutting edge terminating in a dull end. By movement of the handles, the blade portions are rotatable from a closed position to an open position. In the closed position, the non-cutting edges of the blade portions are spaced apart to form a first V-shaped gap which may receive but will not cut any hair. In the open position, the cutting edges of the blade portions are spaced part and any hair placed therein is cut when the blade portions are moved to the closed position. In both the open and close positions, the cutting edges cannot be brought into contact with the stylist's hands and fingers or the skin of the person. With the device of the present invention, a hair stylist has freedom and confidence to

2

perform a wide variety of hair cutting techniques without being inhibited by the fear of cutting his/her fingers and/or the skin of the person.

**BRIEF DESCRIPTION OF THE DRAWINGS**

The following detailed description of the present invention will be better understood with reference to the accompanying drawings in which:

FIG. **1A** is a plan view of a conventional scissor in the open position;

FIG. **1B** is plan view of a conventional scissor in the closed position;

FIG. **2** is a plan view of a first embodiment of the scissor of the present invention in a closed position;

FIG. **3** is a plan view of a second embodiment of the scissor of the present invention in a closed position; and

FIG. **4** is a plan view of a third embodiment of the scissor of the present invention in a closed position.

**DETAILED DESCRIPTION OF THE PREFERRED EMBODIMENTS**

Referring to FIG. **2**, where a first embodiment of the device **30** of the present invention is shown (in a "closed position") generally comprising a first blade member **32** rotatably connected to a second blade member **34** about a pivot point **35**. The pivot point **35** may consist any type of conventional fastener such as a joint screw extending through openings (not shown) provided in the first and second blade members **32** and **34**. Each of the first and second blade members **32** and **34** generally comprise a handle portion **36** having a handle member **37** adapted to be grasped by the hair stylist and a blade portion **38** terminating in a dull end portion **40**. Each of the blade portions **38** comprise a cutting edge **42** and a non-cutting edge **44**. The cutting edge **42** begins at a point **46** and terminates at a point **48** immediately adjacent to the non-cutting edge **44**. The non-cutting edge **44** begins at the point **48** and terminates at the dull or rounded end **40**. The non-cutting edges **44** are designed to be dull so as not to cut any hair or cause injury to the hand and fingers of the stylist or the skin of the client. In the preferred embodiment the non-cutting edges **44** and the end portion **40** are curved or rounded. By movement of the handles **36**, the blade portions **38** are rotatable from a "closed" position (shown in FIG. **2**) to an open position (not shown). In the closed position (FIG. **2**), the non-cutting edges **44** of the blade portions **38** are spaced apart to form a first V-shaped gap **50** which may receive but not cut any hair. In the "open" position (not shown), the cutting edges **42** of the blade portions **38** are spaced part and any hair placed therein is cut when the blade portions **38** are moved to the closed position. Because the cutting edges **42** are interior to that of the non-cutting edges **44** and end portion **40**, in both the open and closed positions, it is difficult if not impossible for the cutting edges **42** to come in contact with the stylist's hands and fingers or the skin of the person. The shape of the first and second blade members **32** and **34** and the curvature of the non-cutting edges **44** may be varied so that closure of the handles **37** creates the desired size of the first V-shaped gap **50** in the "closed" position. With the device **30**, a hair stylist has the freedom to perform a variety of cutting techniques without the fear of cutting his/her fingers and/or the skin of the person.

Referring to FIG. **3** where a second embodiment of the device **30** of the present invention is shown. The only difference between the device **30** of the first embodiment

3

(FIG. 21) and the device 30 of the second embodiment (FIG. 3), is that the length of the cutting edges 42 is shortened and the length of the non-cutting edges 44 are increased and shaped so as to create a second V-shaped gap 52 which is larger than the first V-shaped gap 50 of the first embodiment. The device 30 of the second embodiment is desirable when the hair stylist wants to allow a larger amount of hair to enter the V-shaped gap 52 prior to opening of the device 30 and initiation of a cutting procedure.

Referring to FIG. 4 wherein a third embodiment of the device 30 of the present invention comprises the device 30 of the first embodiment (FIG. 2) joined with the device 30 of the second embodiment (FIG. 3) by a common screw or fastener 54 to thereby create a single device 30 having two sets of blade members having blade portion with different lengths of cutting edges 42 and non-cutting edges 44 and a V-shaped gaps 50 which is smaller than the V-shaped gap 52.

Although the various embodiments of the device 30 of the present invention have been described with reference to cutting the hair of a person, the device 30 can be used to cut the hair of various animals such as dogs or cats. The materials used in connection with the various embodiments of device 30 may be made from any suitable material to accomplish the desired cutting task such as steel, stainless steel, plastic, or reinforced plastic.

The foregoing description is intended primarily for purposes of illustration. This invention may be embodied in other forms or carried out in other ways without departing from the spirit or scope of the invention. Modifications and variations still falling within the spirit or the scope of the invention will be readily apparent to those of skill in the art.

What is claimed is:

1. A device for cutting the hair of a person comprising:
  - a first blade member having a first handle portion and a first blade portion, said first blade portion having a first cutting edge and a first non-cutting edge extending from said first cutting edge and terminated at a free end of said first blade portion;
  - a second blade member having a second handle portion and a second blade portion, said second blade portion having a second cutting edge and a second non-cutting edge extending from said second cutting edge and terminated at a free end of said second blade portion;
  - said first blade member being rotatably connected to said second blade member between a first closed position and a first open position;
  - said first closed position being where said first and second non-cutting edges are spaced apart to form a first V-shaped gap and said first and second cutting edges are substantially closed;
  - said first open position being where said first and second cutting edges are spaced apart to receive the hair; and
  - said first non-cutting edge facing said second non-cutting edge in said first open position.
2. The device of claim 1, wherein said first and second non-cutting edges are dull.

4

3. The device of claim 2, wherein said first and second blade members are shaped such that in said first closed position said first and second non-cutting edges form said first V-shaped gap and in said first open position said first and second cutting edges are spaced apart to receive the hair.

4. The device of claim 3, wherein said first and second handle portions are connected to said first and second blade portions, respectively.

5. The device of claim 1 further comprising a third blade member having a third handle portion and a third blade portion, said third blade portion having a third cutting edge and a third non-cutting edge extending from said third cutting edge and terminated at a free end of said third blade portion.

6. The device of claim 5 further comprising a fourth blade member having a fourth handle portion and a fourth blade portion, said fourth blade portion having a fourth cutting edge and a fourth non-cutting edge extending from said fourth cutting edge and terminated at a free end of said fourth blade portion.

7. The device of claim 6, wherein said third blade member is rotatably connected to said fourth blade member between a second closed position and a second open position.

8. The device of claim 7, wherein said second closed position is where said third and fourth non-cutting edges are spaced apart to form a second V-shaped gap and said third and fourth cutting edges are substantially closed.

9. The device of claim 8, wherein said second open position is where said third and fourth cutting edges are spaced apart to receive the hair.

10. The device of claim 9, wherein said first V-shaped gap is smaller than said second V-shaped gap.

11. The device of claim 10, wherein said third non-cutting edge faces said fourth non-cutting edge in said second open position.

12. The device of claim 11, wherein said third and fourth non-cutting edges are dull.

13. The device of claim 12, wherein said third and fourth blade members are shaped such that in said second closed position said third and fourth non-cutting edges form said second V-shaped gap and in said second open position said third and fourth cutting edges are spaced apart to receive the hair.

14. The device of claim 13, wherein said third and fourth handle portions are connected to said third and fourth blade portions, respectively.

15. The device of claim 14, wherein said first and second blade members are connected to said third and fourth blade members.

16. The device of claim 15, wherein said first blade member is rotatably connected to said second blade member about a pivot member.

17. The device of claim 16, wherein said third blade member is rotatably connected to said fourth blade member about said pivot member.

18. The device of claim 17, wherein said pivot member is a screw member.

\* \* \* \* \*